

A

B

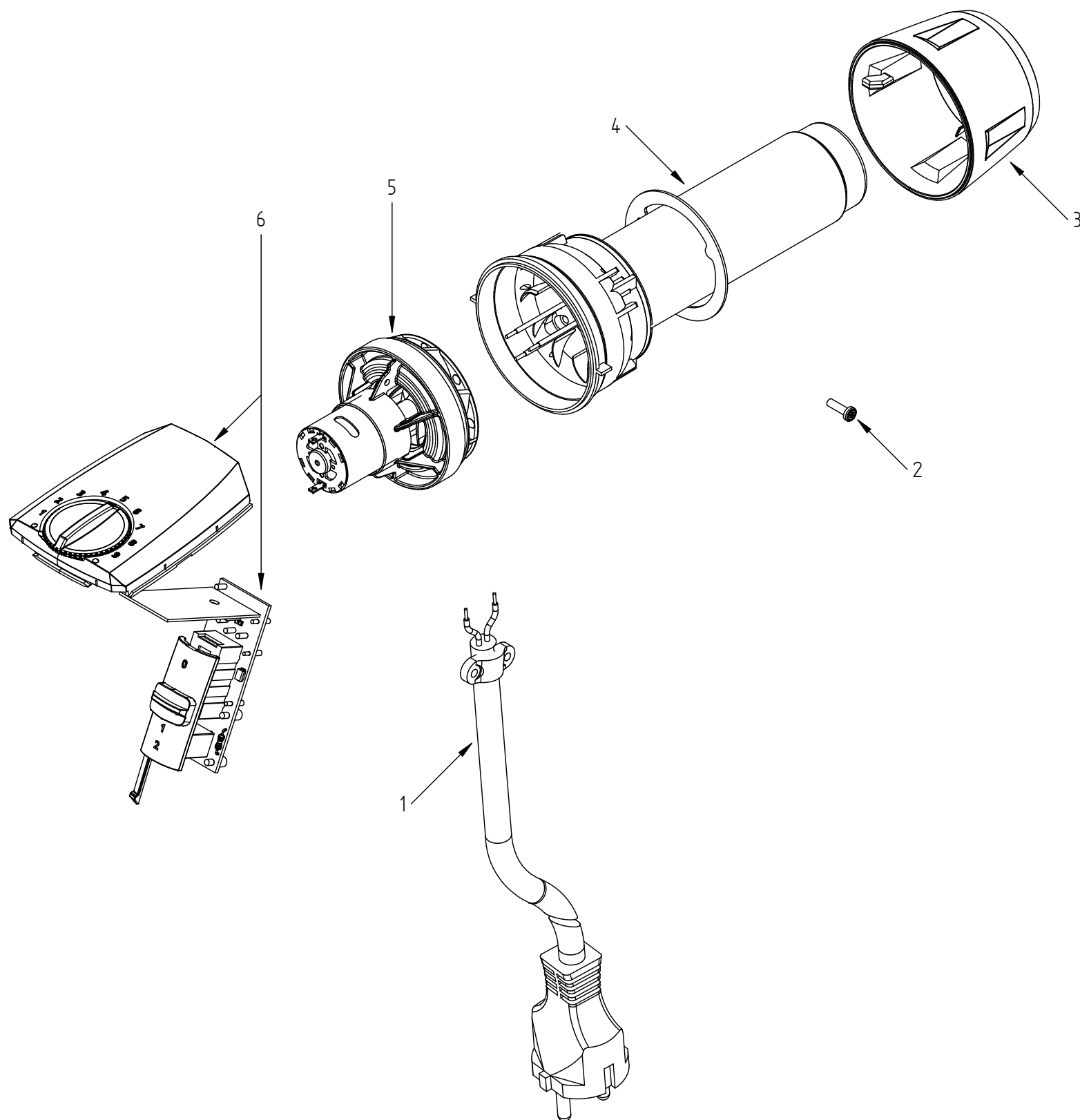
C

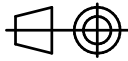
D

1

2

3



Material: -				Volume:		
Date	Drawn by	WELDY HG 330-S			Sheet	
07.11.18	Pfleger, Pascal				1	
Date	Checked by				of	
27.09.19	Pfleger, Pascal				1	
Leister Technologies AG Switzerland		Format	Scale		Drawing number	Revision
		A3	1:2		020.873	A