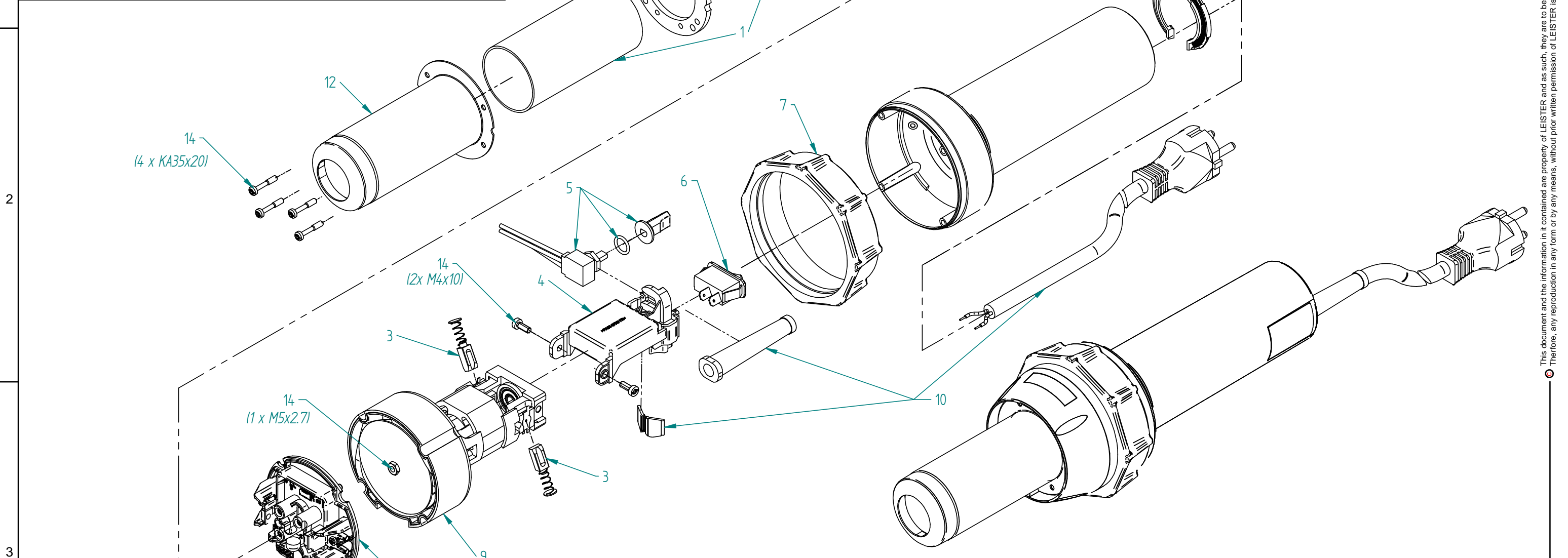


Pos.	Order number	Description 1	Description 2
1	124.322	Heating element (type C)	230V/3300W, incl. m. tube, spp
2	124.976	Gasket	ø 70/48 x 4 (type C), spp
3	125.810	Carbon brushes, 1 pair	For motor C1-4625, spp
4	125.516	Print adapter rear complete	100-230V, brushed motor, spp
5	125.512	Potentiometer with turn. knob	20kOhm, spp
6	125.556	Rocker switch	250V, snap-fit terminals, spp
7	125.804	Rubber band	spp
8	124.977	Print adapter front complete	230V, type C, spp
9	125.000	Motor C1-4625	230V, with blower, spp
10	158.341	Power supply cord T (230V)	2 x 1.5mm ² x 3m, CN (16A), spp
10	158.342	Power supply cord (230V)	2 x 1.5mm ² x 3m, EU (16A), spp
11	125.717	Air filter (2 pcs)	spp
12	125.658	Heater tube (ø 50.0)	(type C) w/o protection, spp
13	125.530	Housing front printed (type C)	Warning, spp
14	125.500	Screw kit (50pcs)	spp



Material: -		Volume:			
Date	Drawn by	energy HT3400	Sheet		
01.05.17	Himmelsbach, Christina		1		
Date	Checked by		of		
11.05.17	Christen, Peter		1		
Leister Technologies AG Switzerland		Format	Scale	Drawing number	Revision
		A3	1:2.5		

This document and the information in it contained are property of LEISTER and as such, they are to be considered reserved. Therefore, any reproduction in any form or by any means, without prior written permission of LEISTER is forbidden.