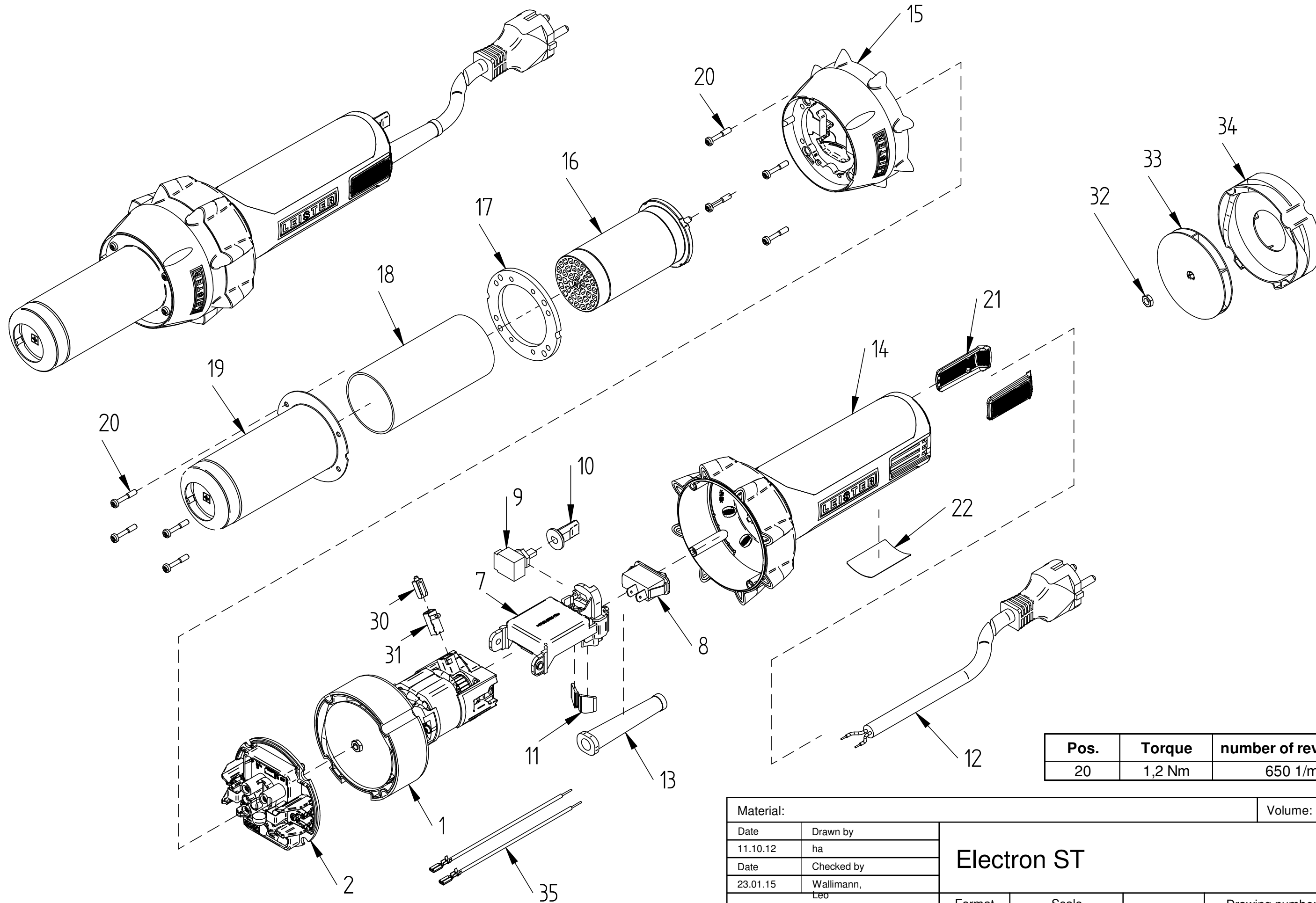


A

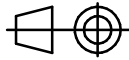
B

C

D



Pos.	Torque	number of revolutions
20	1,2 Nm	650 1/min.

Material:		Volume:	
Date	Drawn by	<b>Electron ST</b>	
11.10.12	ha		
Date	Checked by		
23.01.15	Wallimann, Leo	Format	Scale
Leister Technologies AG Switzerland		A3	%
			
		Drawing number	Revision
		<b>020.525</b>	<b>B</b>

Model: 020552-0001-01.asm