

A

B

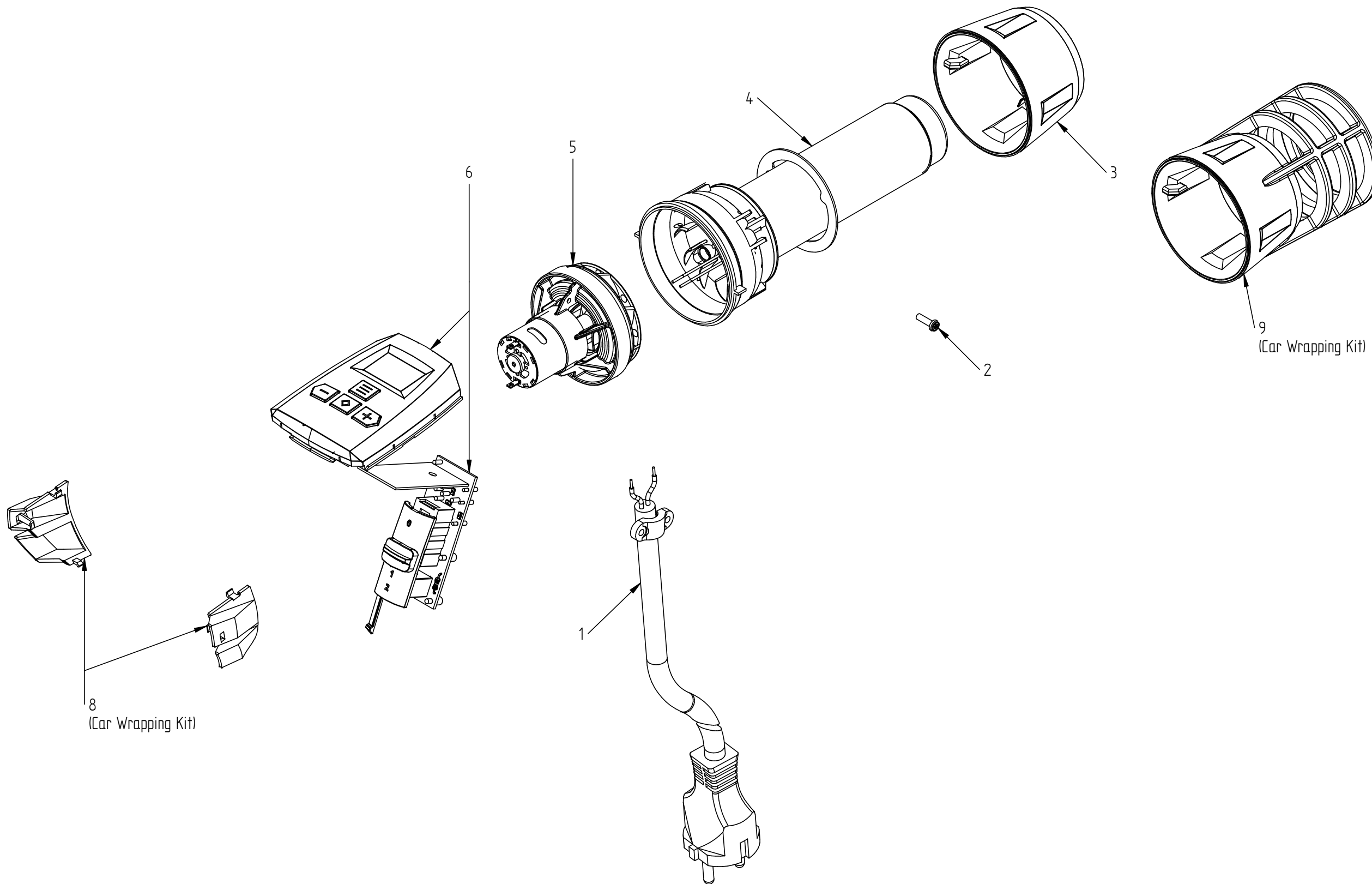
C

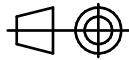
D

1

2

3



Material: -				Volume:		
Date	Drawn by	<b>WELDY HG 530-A</b>			Sheet	
06.09.19	Pfleger, Pascal				1	
Date	Checked by				of	
06.04.21	Herzog, Marco				1	
Leister Technologies AG Switzerland		Format	Scale		Drawing number	Revision
		A3	1:2		<b>020.784</b>	<b>B</b>