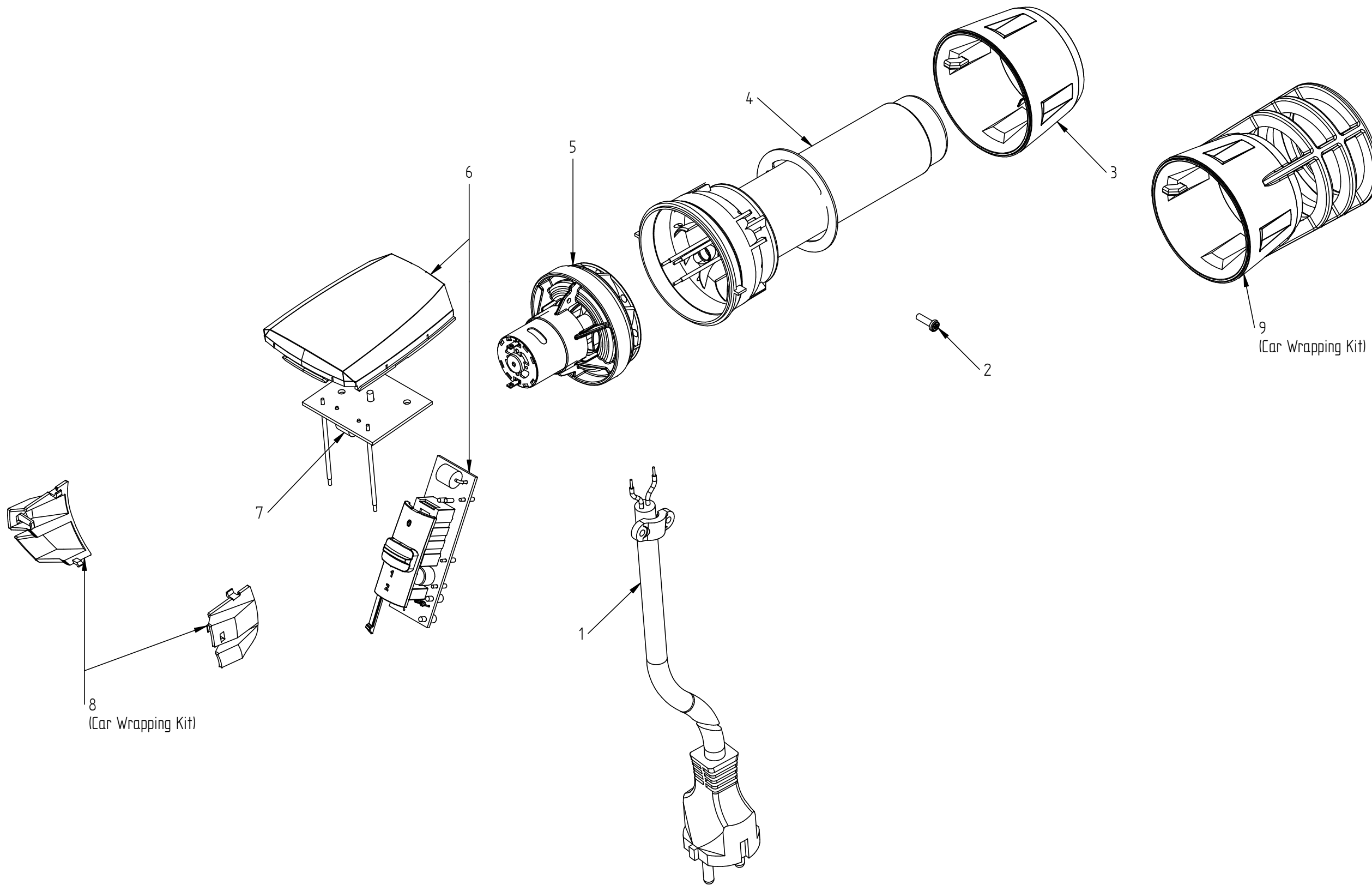


A

B

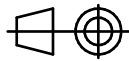
C

D



8
(Car Wrapping Kit)

9
(Car Wrapping Kit)

Material: -				Volume:		
Date	Drawn by	WELDY HG 330-B			Sheet	
07.11.18	Pfleger, Pascal				1	
Date	Checked by				of	
06.04.21	Herzog, Marco				1	
Leister Technologies AG Switzerland		Format	Scale		Drawing number	Revision
		A3	1:2		020.872	B