

A

B

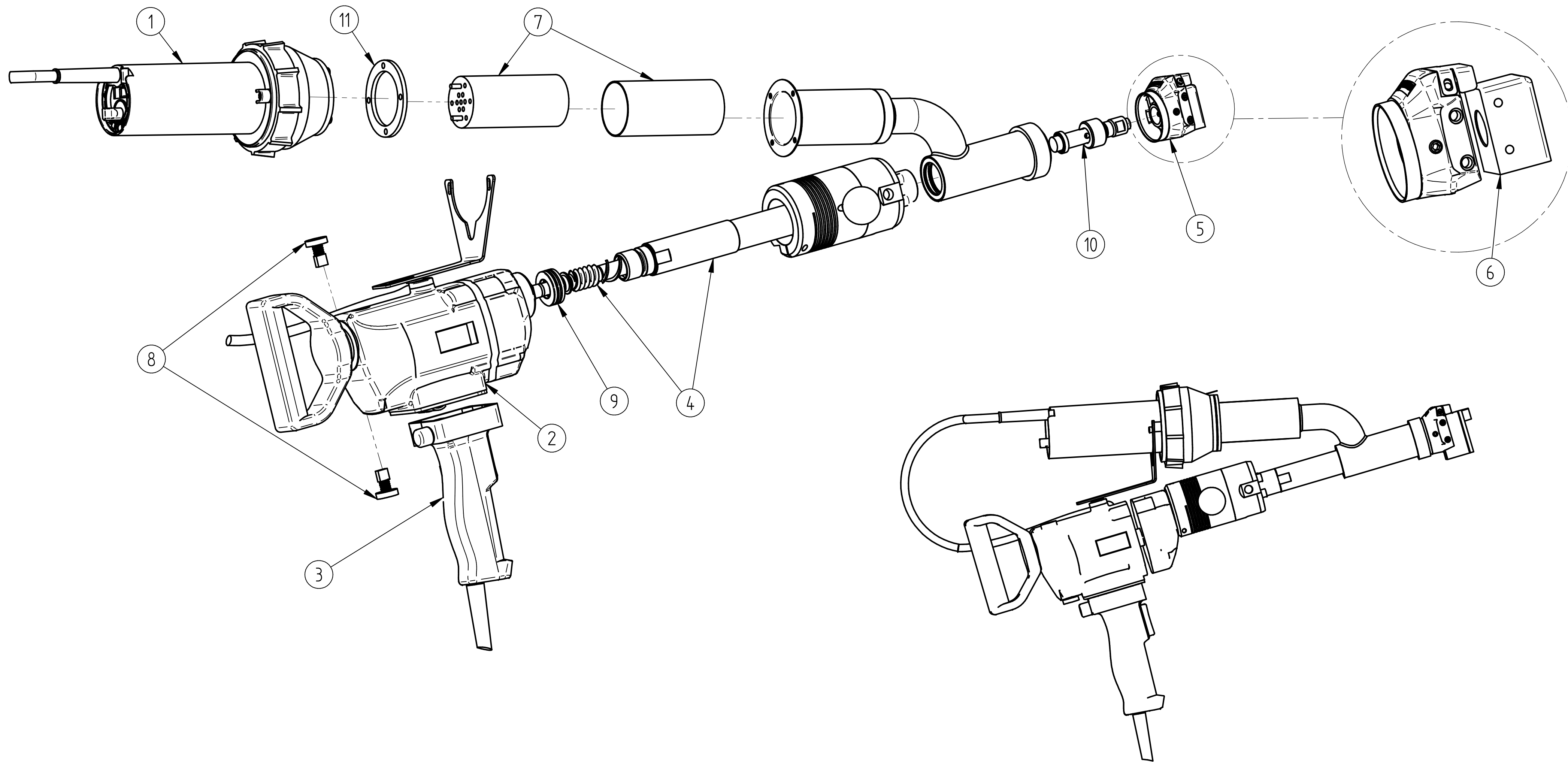
C

D

1

2

3



Material:				Volume:	
Date	Drawn by	Booster			Sheet
16.11.16	Himmelsbach, Christina				1
Date	Checked by				of
07.12.16	Di Miceli, Giuseppe		1		
Leister Technologies AG Switzerland		Format	Scale	Drawing number	Revision
		A3	1:1		020.530

