

A

B

C

D

E

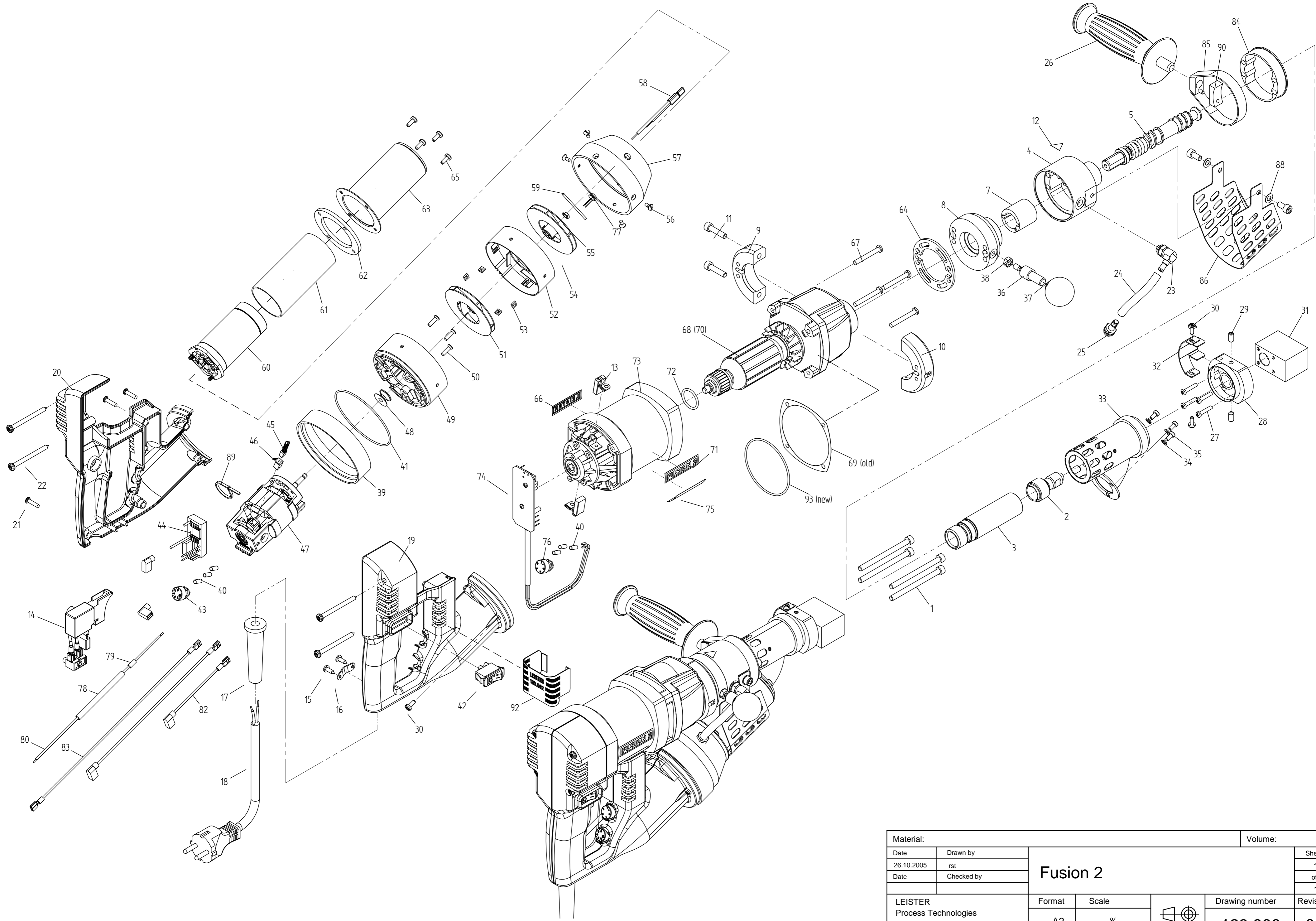
F

1

2

3

4



This document and the information it contains are property of LEISTER and as such, they are to be considered reserved.
 Therefore, any reproduction in any form or by any means, without prior written permission of LEISTER is forbidden.

Material:		Volume:	
Date	Drawn by	Fusion 2	Sheet
26.10.2005	rst		1
Date	Checked by		of
			1
LEISTER Process Technologies CH-6060 Sarnen		Format	Scale
		A2	%
			Drawing number
			123.880
			Revision
			03