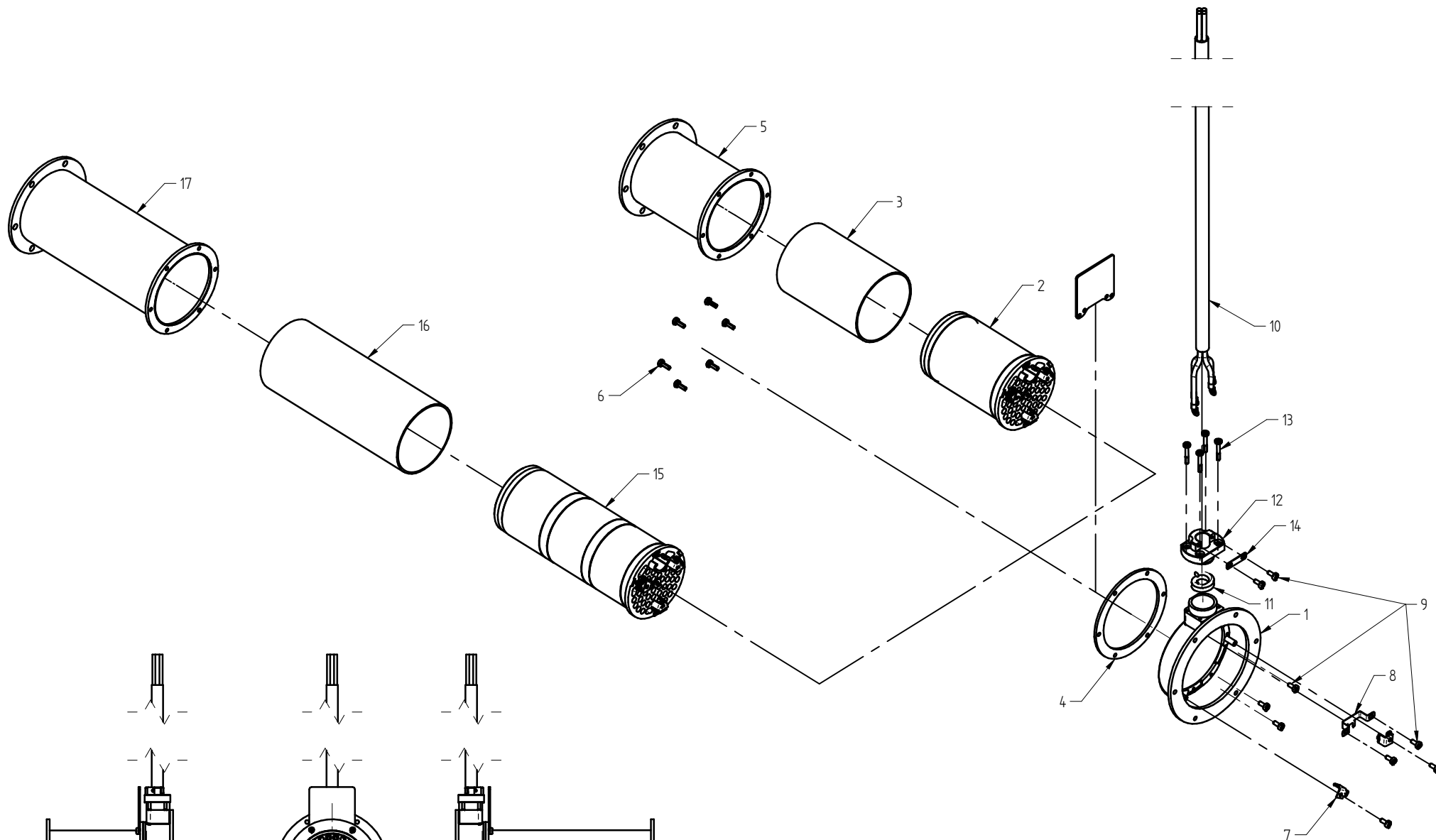


A

B

C

D



DF 10 000 DF-R

DF 10 000 DF-R HT

Material:

Volume:

Date	Drawn by
07.09.2012	fes
Date	Checked by
28.09.2012	gdm

LE 10000 DF-R / DF-R HT

Sheet

1

of

1

Leister Technologies AG  
Switzerland

Format

A3

Scale

1:5



Drawing number

020.576

Revision

A