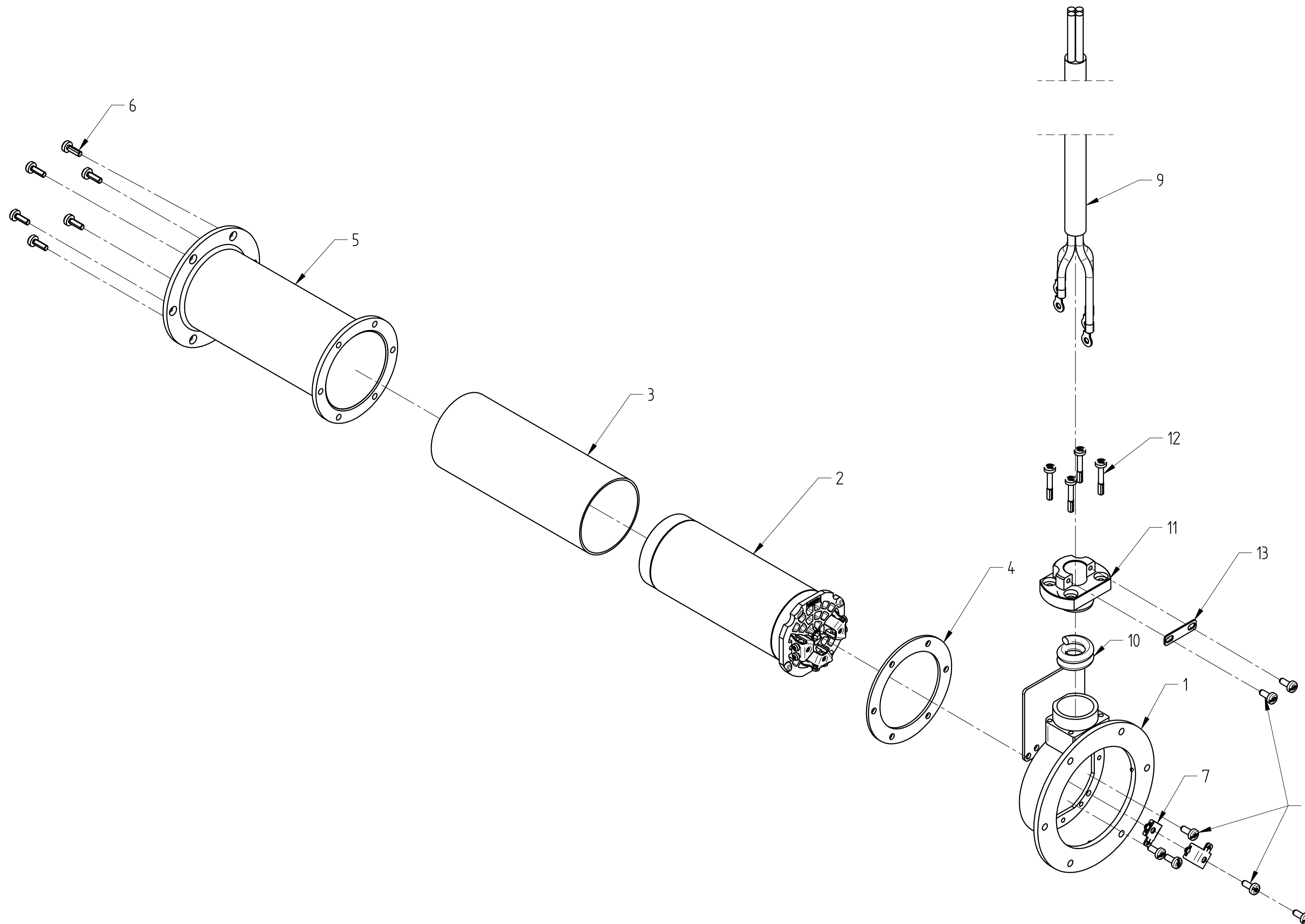


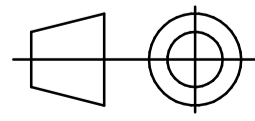
A

B

C

D



Material:				Volume:		
Date	Drawn by	<b>LE 5000 DF-R</b>			Sheet	
07.09.2012	fes				1	
Date	Checked by				of	
28.09.2012	gdm				1	
Leister Technologies AG Switzerland		Format	Scale		Drawing number	Revision
		A3	1:3		<b>020.575</b>	<b>A</b>