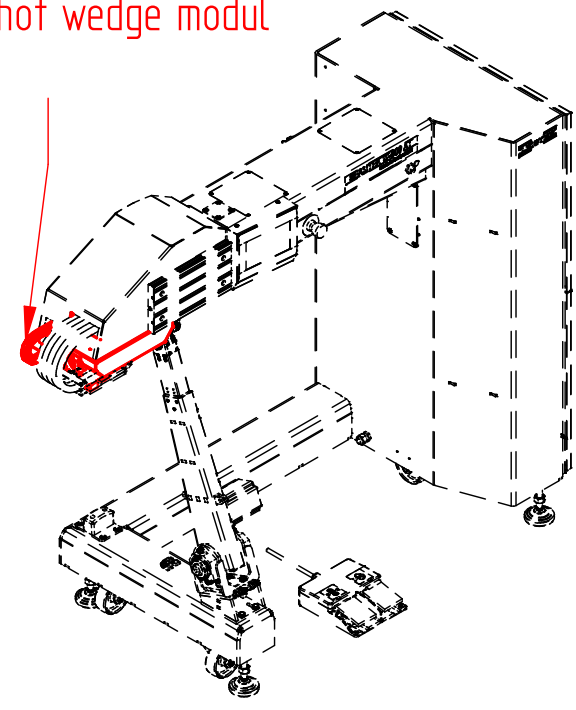
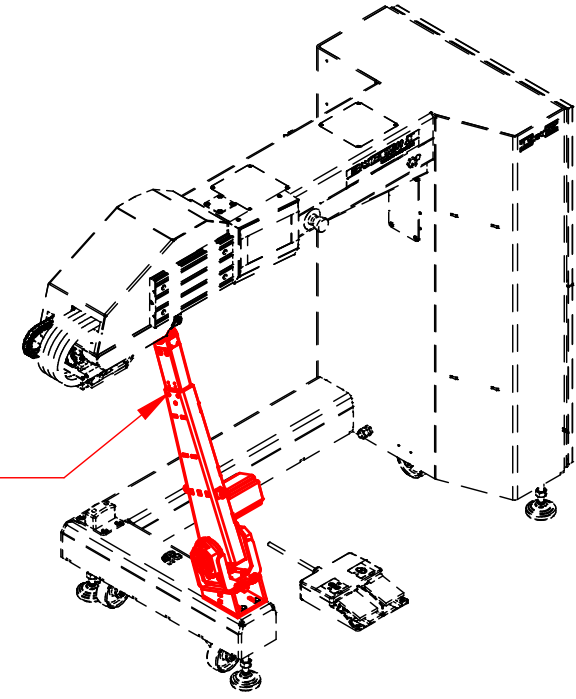


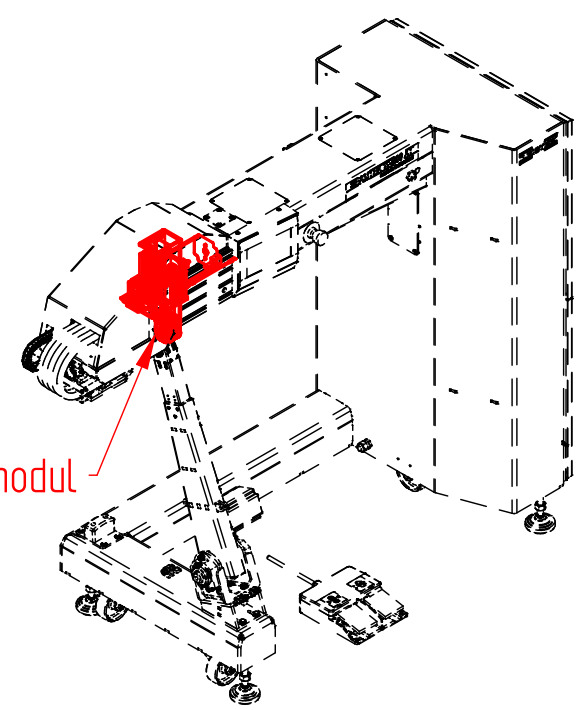
Adjustable hot wedge modul
Sheet 2



Pedestal
Sheet 3



Upper wheel modul
Sheet 4



120 / 161.412
Flex wire 2'650mm for Seamtek W-900AT

1455 / 165.061
Flex wire 3'800mm for Seamtek W-2000AT

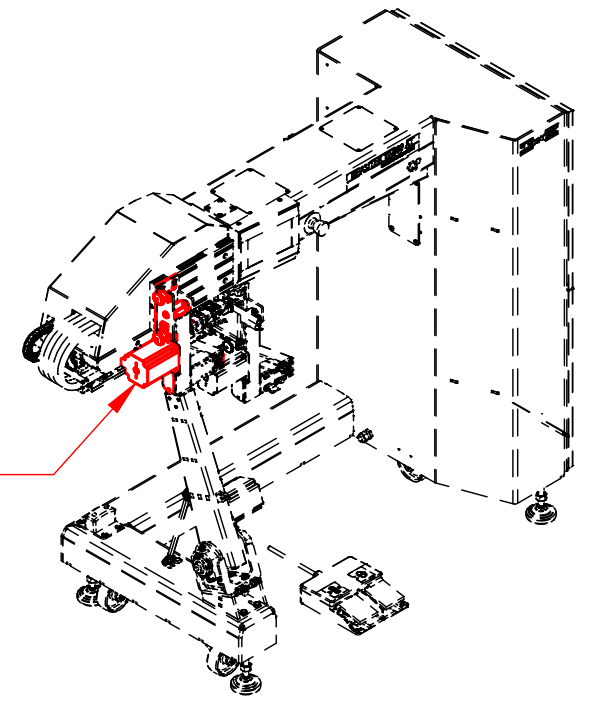
130 / 161.411
Flex wire 2'500mm for Seamtek W-900AT

1450 / 165.060
Flex wire 3'600mm for Seamtek W-2000AT

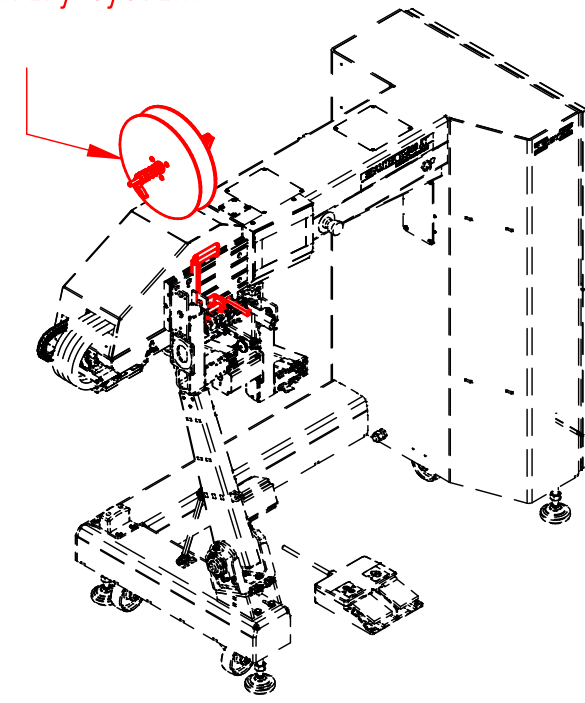
1:10

140 / 154.953
Mounting block for guides

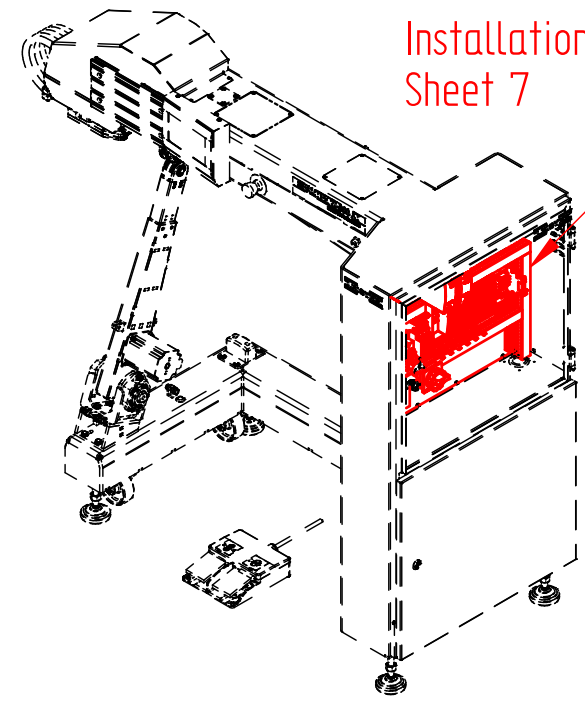
Tape delivery system
Sheet 6



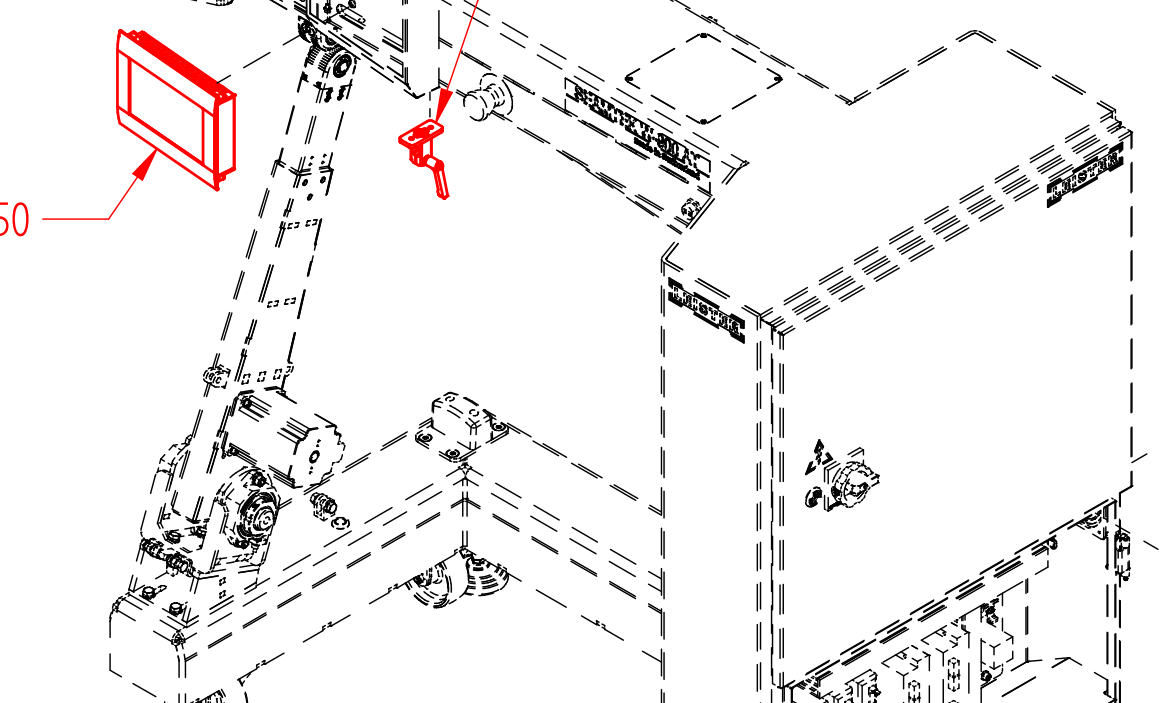
Quickarm
Sheet 5



Installation panel (upper)
Sheet 7

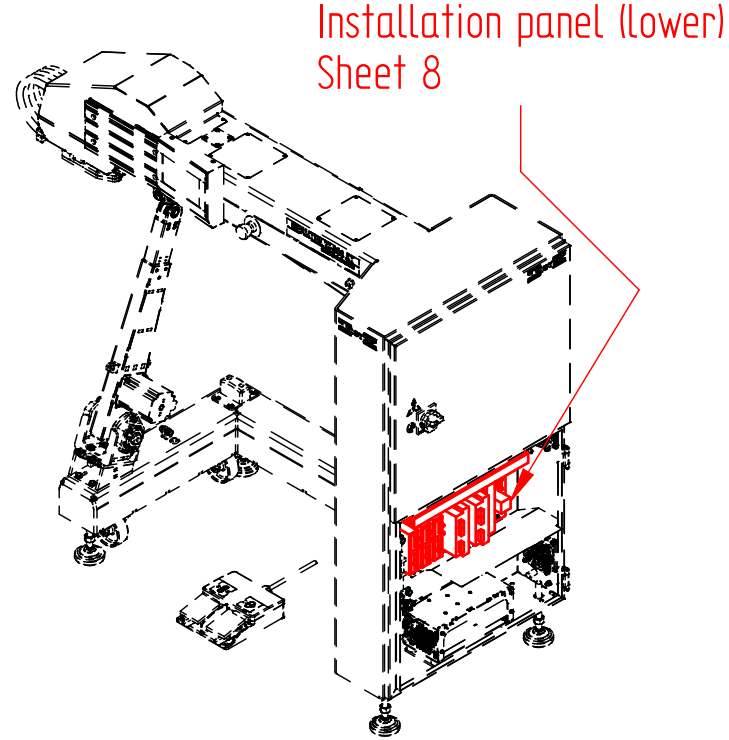


110 / 155.550
Panel PC

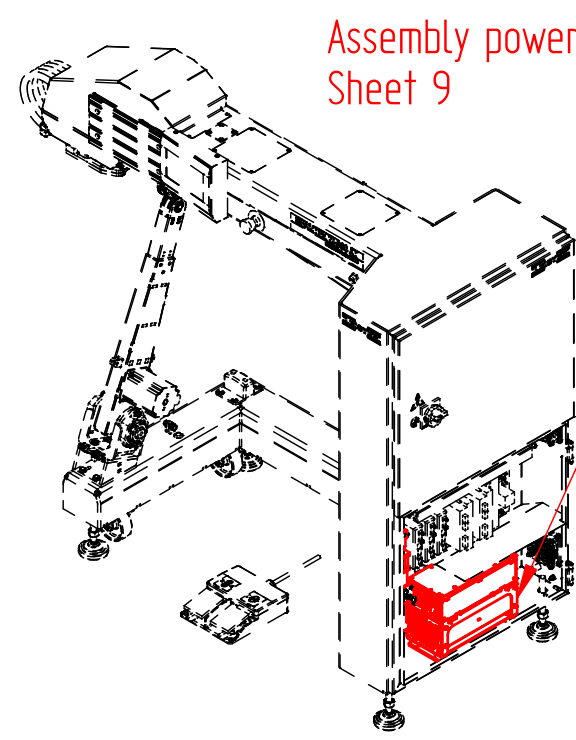


150 / 156.762
Air Filter

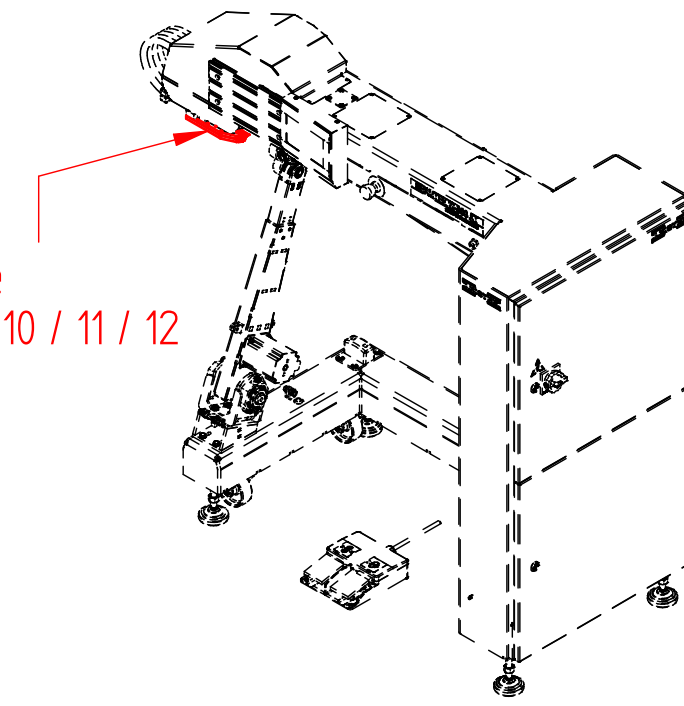
Installation panel (lower)
Sheet 8



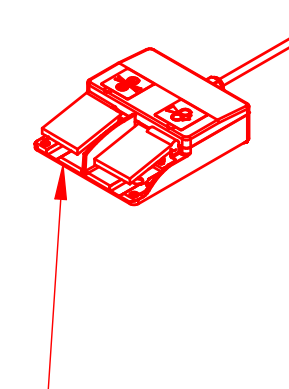
Assembly power supply
Sheet 9



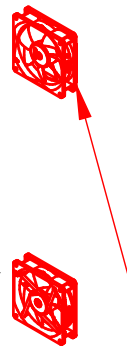
Wedge
Sheet 10 / 11 / 12



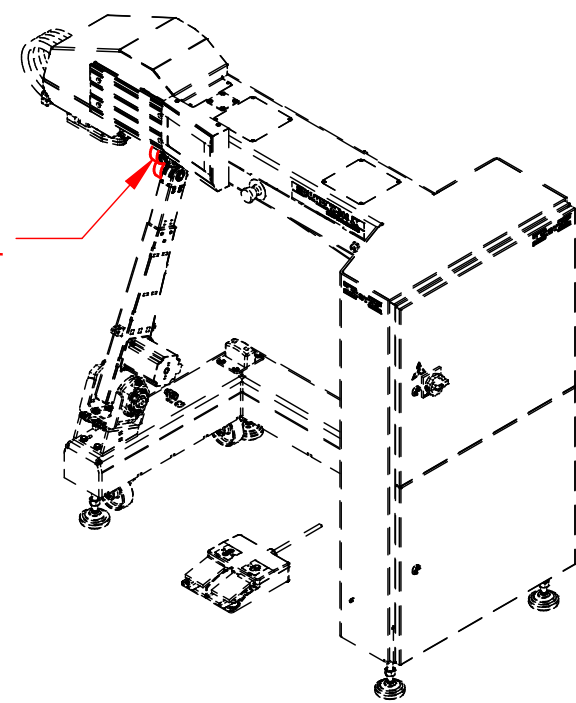
170 / 160.109
Foot pedal assembly



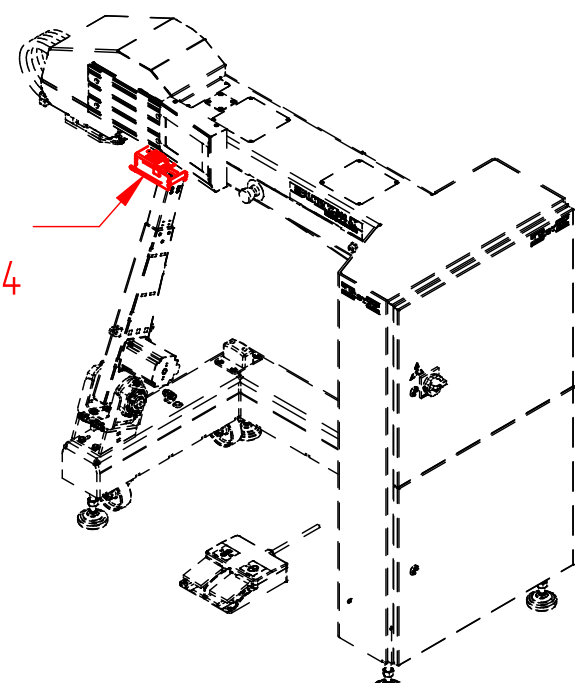
160 / 157.123
Fan 92mm 24VDC



Silicon wheel
Sheet 13



Guide
Sheet 14



| | | | |
|--|----------------|--------------|----------------|
| Material: - | | Volume: | |
| Date | Drawn by | Seamtek W-AT | Sheet |
| 13.02.20 | Fanger, Rafael | | 1 |
| Date | Checked by | | of |
| | | | 14 |
| Leister Technologies AG Switzerland | Format | Scale | Drawing number |
| | A2 | 1:20 | 020.864 |
| | | | Revision |
| | | | C |

A

B

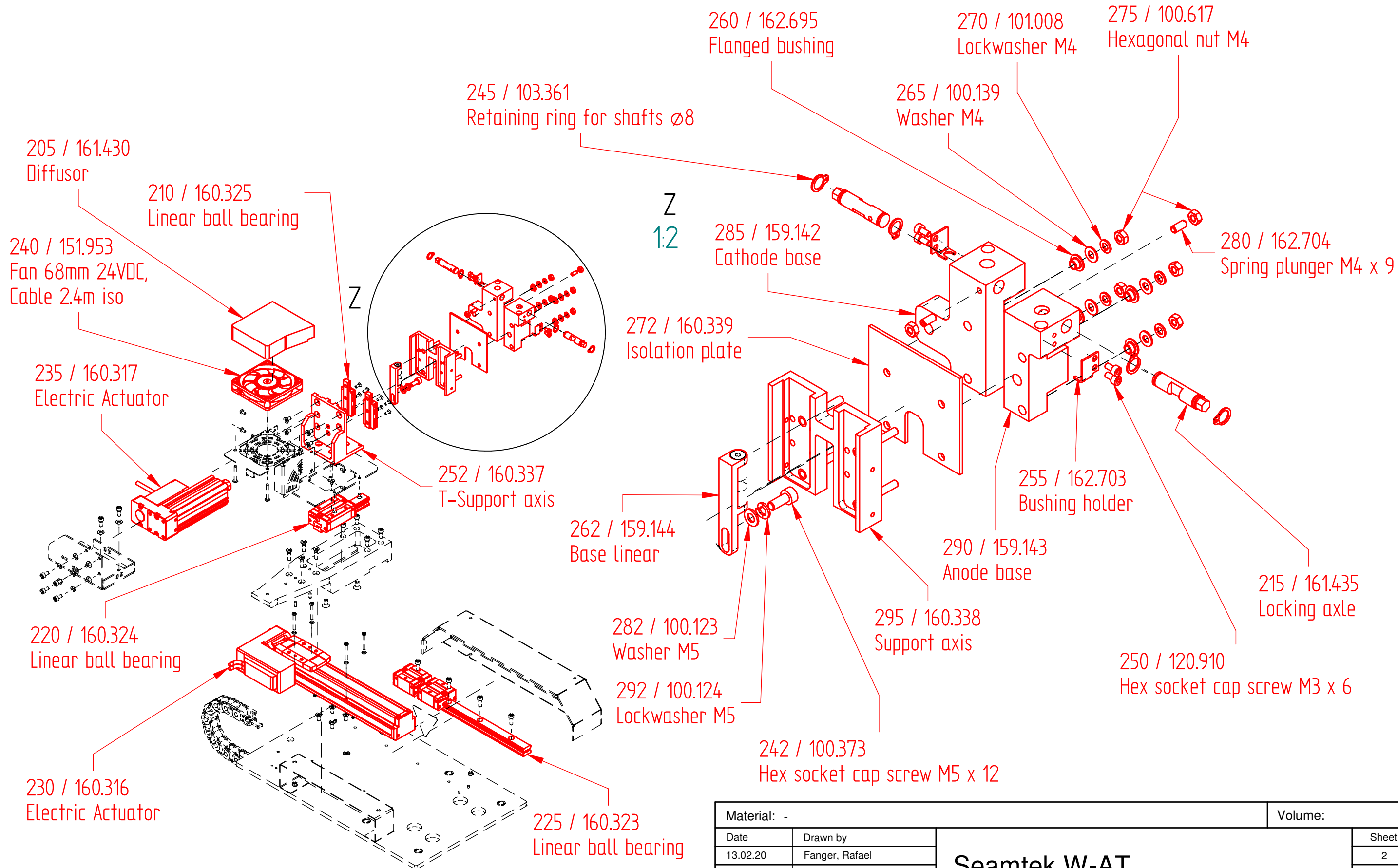
C

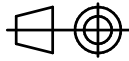
D

1

2

3



| | | | | | | |
|--|----------------|---------------------|-------|---|----------------|----------|
| Material: - | | | | Volume: | | |
| Date | Drawn by | Seamtek W-AT | | | Sheet | |
| 13.02.20 | Fanger, Rafael | | | | 2 | |
| Date | Checked by | | | | of | |
| | | | | 14 | | |
| Leister Technologies AG Switzerland | | Format | Scale |  | Drawing number | Revision |
| | | A3 | 1:5 | | 020.864 | C |

A

B

345 / 106.731

Hex socket cap screw M6 x 16

305 / 155.849

Cover sheet

340 / 106.758

Lockwasher M6 (6.3/11.8/1.6)

310 / 120.424

Countersunk screw M3 x 6

335 / 102.252

Washer M6 (6.4/18/1.6)

330 / 155.851

Bearing mount

315 / 155.853

Toothed belt 1150 x 12

325 / 157.121

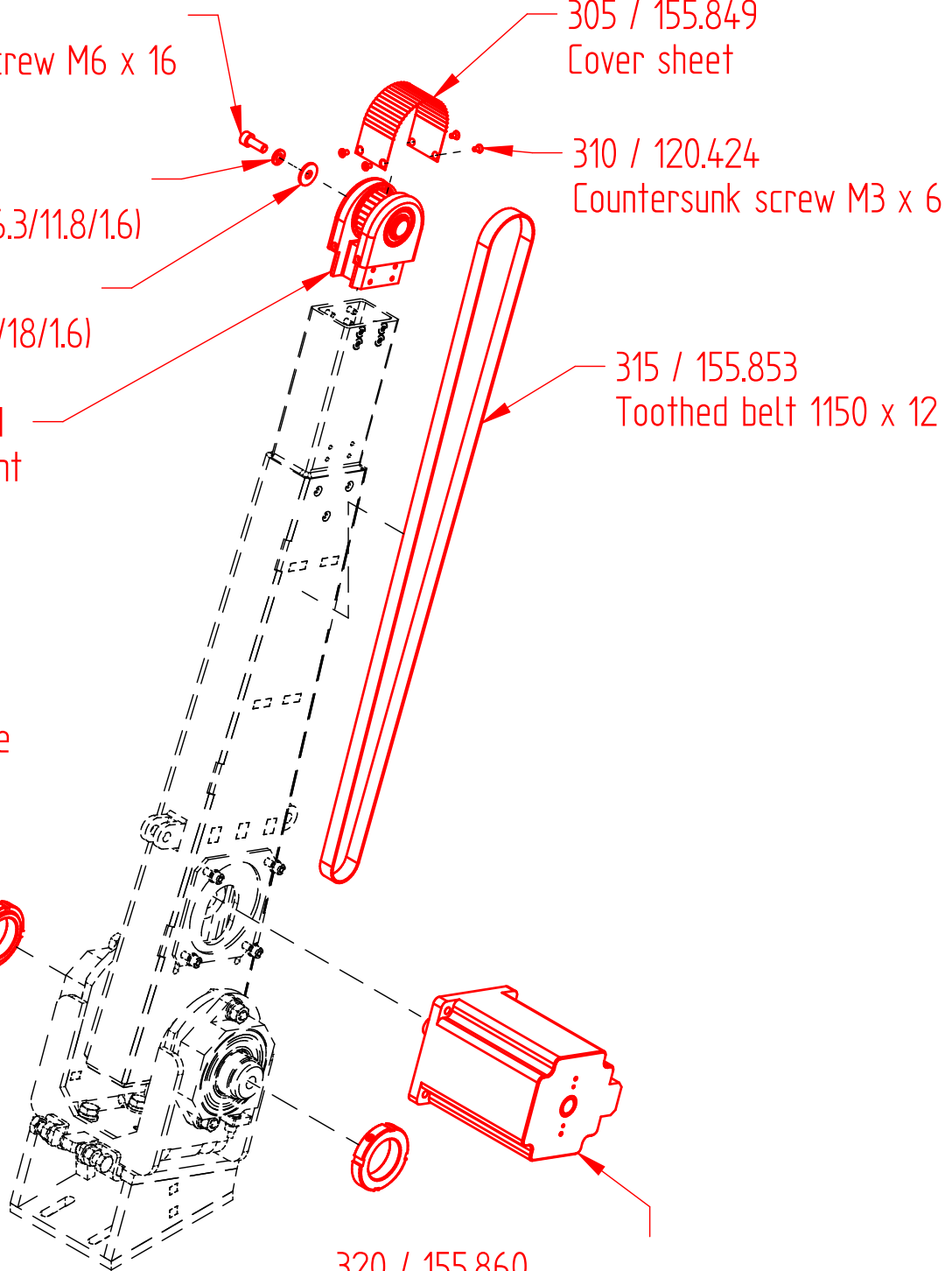
Clamping sleeve

320 / 155.860

Stepper motor 48V for Seamtek W-900AT

350 / 162.631

Stepper motor 48V for Seamtek W-2000AT



Material: -

Volume:

| | |
|----------|----------------|
| Date | Drawn by |
| 13.02.20 | Fanger, Rafael |
| Date | Checked by |
| | |

Seamtek W-AT

Sheet

3

of

14

Leister Technologies AG
Switzerland

Format

A4

Scale

1:5



Drawing number

020.864

Revision

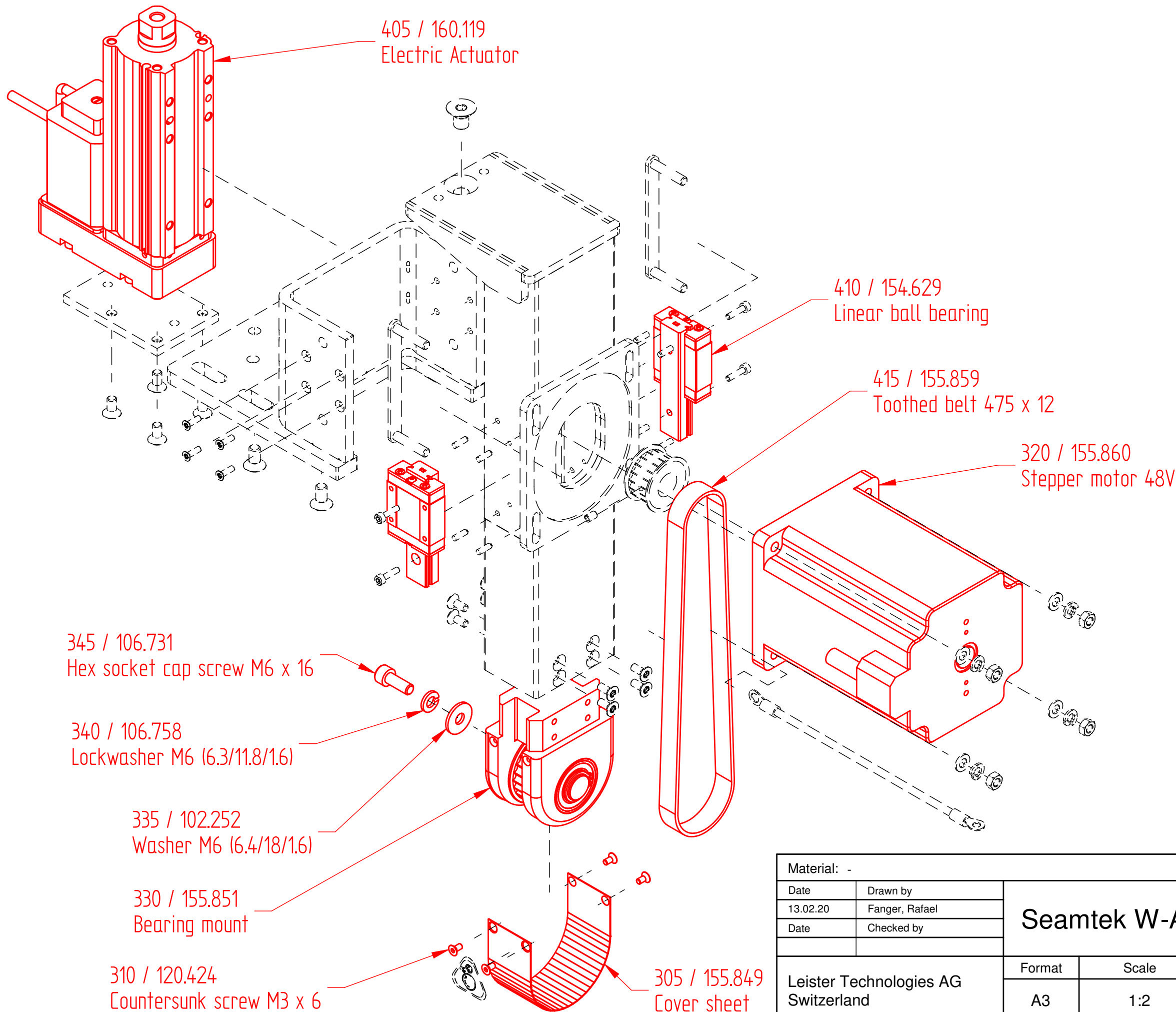
C

Model: 020864-0001.asm

1

2

3



405 / 160.119
Electric Actuator

410 / 154.629
Linear ball bearing

415 / 155.859
Toothed belt 475 x 12

320 / 155.860
Stepper motor 48V

345 / 106.731
Hex socket cap screw M6 x 16

340 / 106.758
Lockwasher M6 (6.3/11.8/1.6)

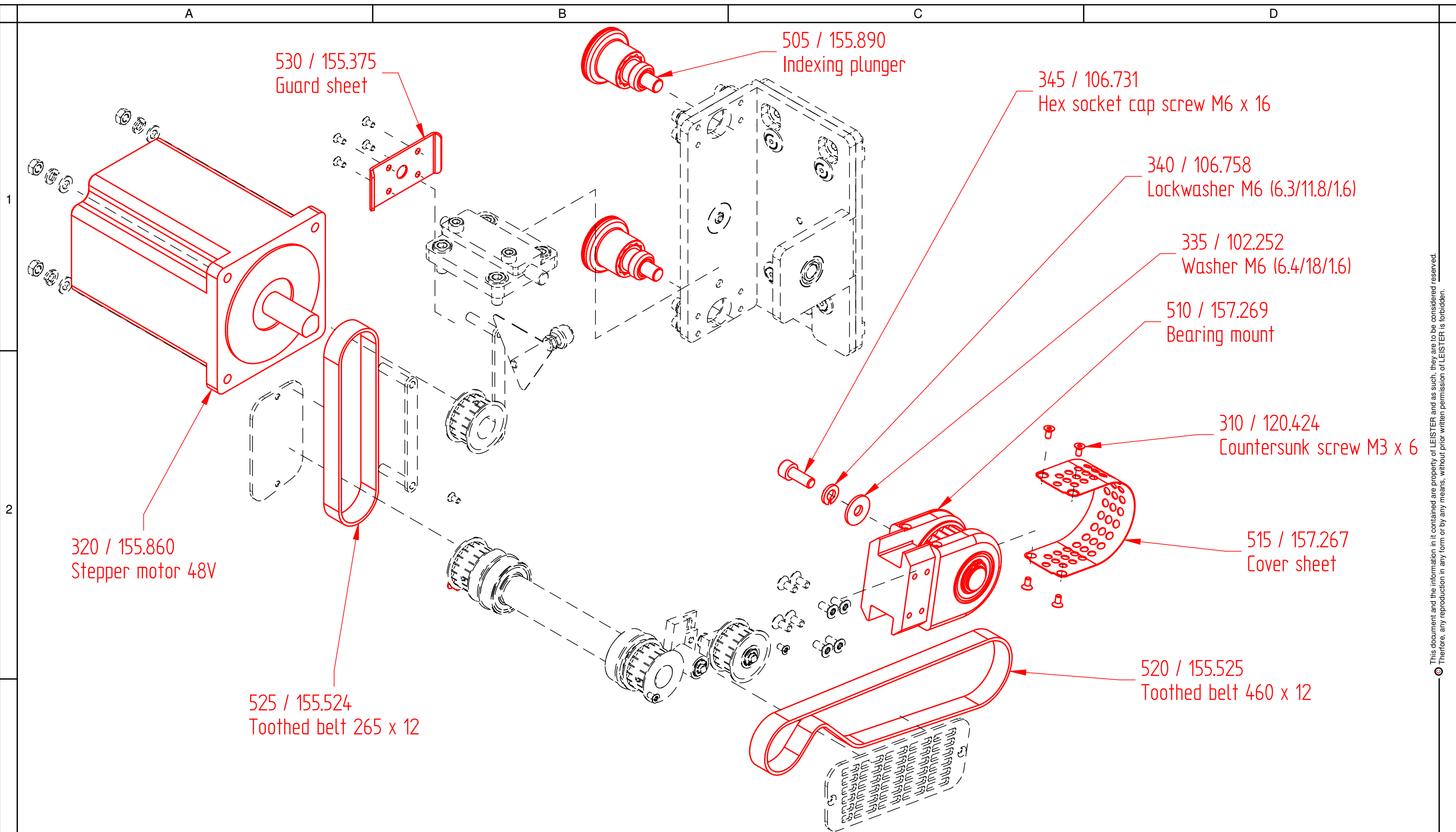
335 / 102.252
Washer M6 (6.4/18/1.6)

330 / 155.851
Bearing mount

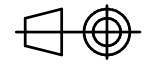
310 / 120.424
Countersunk screw M3 x 6

305 / 155.849
Cover sheet

| | | | | | | |
|--|----------------|---------------------|-------|---------|----------------|----------|
| Material: - | | | | Volume: | | |
| Date | Drawn by | Seamtek W-AT | | | Sheet | |
| 13.02.20 | Fanger, Rafael | | | | 4 | |
| Date | Checked by | | | | of | |
| | | Format | Scale | | Drawing number | Revision |
| Leister Technologies AG Switzerland | | A3 | 1:2 | | 020.864 | C |



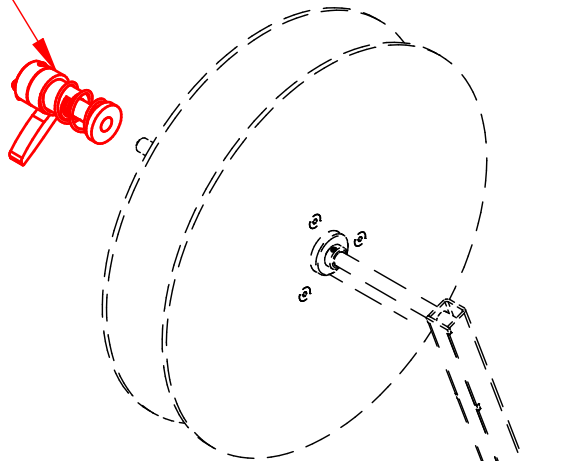
This document and the information it contains are property of LEISTER and as such, they are to be considered reserved. Therefore, any reproduction in any form or by any means, without prior written permission of LEISTER is forbidden.

| | | | | | | |
|--|----------------|---------------------|-------|---|----------------|----------|
| Material: - | | | | Volume: | | |
| Date | Drawn by | Seamtek W-AT | | | Sheet | |
| 13.02.20 | Fanger, Rafael | | | | 5 | |
| Date | Checked by | | | | of | |
| | | Format | Scale |  | Drawing number | Revision |
| Leister Technologies AG Switzerland | | A3 | 1:2 | | 020.864 | C |

A

B

605 / 155.870
Brake assembly



610 / 154.760
Adjustment unit tape guide

This document and the information in it contained are property of LEISTER and as such, they are to be considered reserved. Therefore, any reproduction in any form or by any means, without prior written permission of LEISTER is forbidden.

Material: -

Volume:

| | |
|----------|----------------|
| Date | Drawn by |
| 13.02.20 | Fanger, Rafael |
| Date | Checked by |
| | |

Seamtek W-AT

| |
|-------|
| Sheet |
| 6 |
| of |
| 14 |

Leister Technologies AG
Switzerland

Format
A4

Scale
1:5

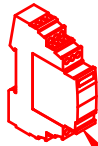
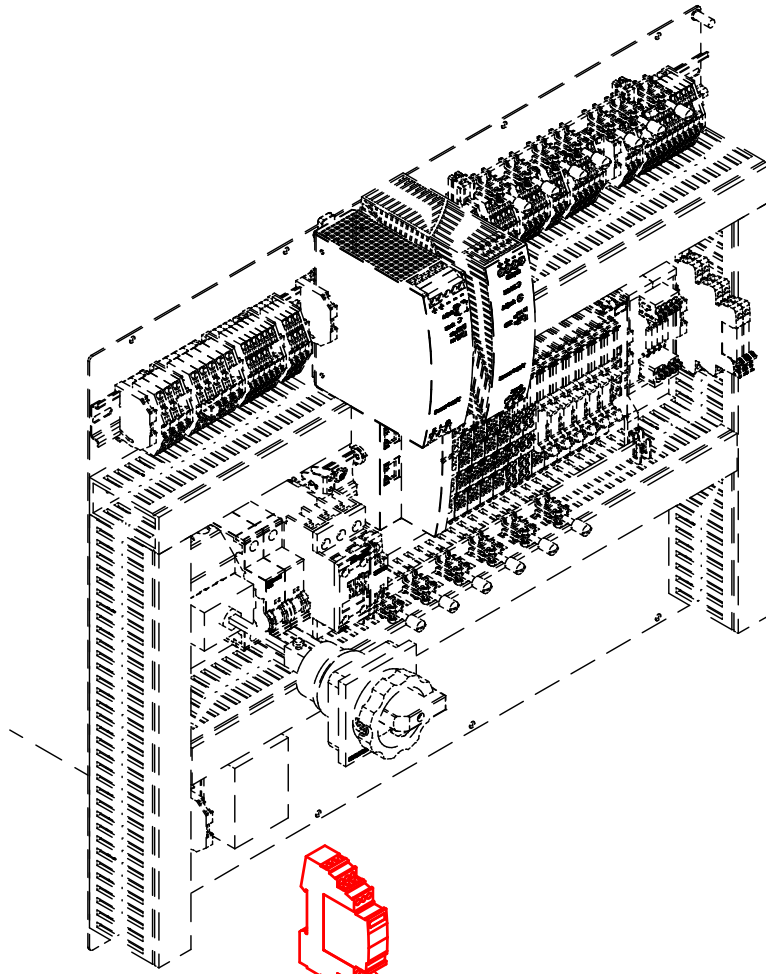


Drawing number
020.864

Revision
C

A

B

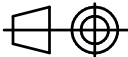


705 / 134.221
Surge Arrester, Type 3

This document and the information in it contained are property of LEISTER and as such, they are to be considered reserved.
Therefore, any reproduction in any form or by any means, without prior written permission of LEISTER is forbidden.

Material: -

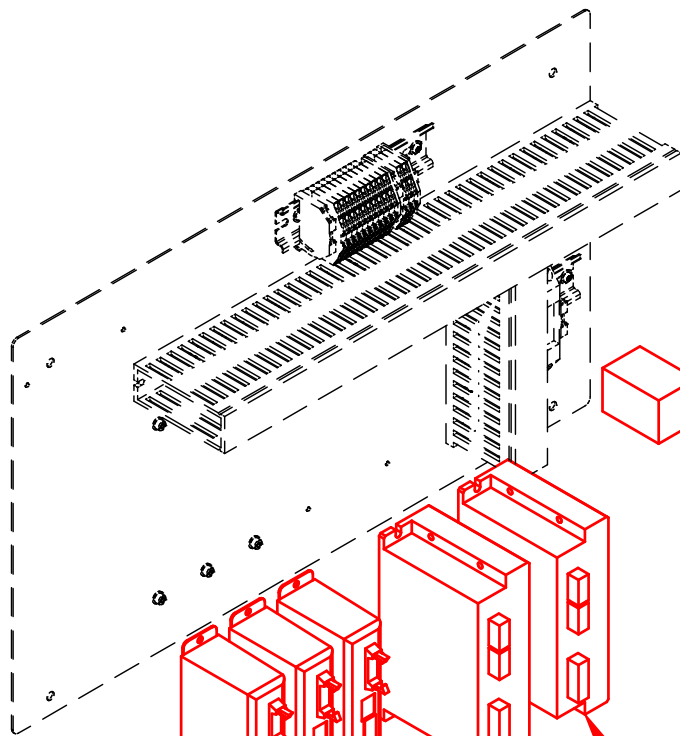
Volume:

| | | | | | | |
|--|----------------|---------------------|-------|--|----------------|----------|
| Date | Drawn by | Seamtek W-AT | | | Sheet | |
| 13.02.20 | Fanger, Rafael | | | | 7 | |
| Date | Checked by | | | | of | |
| | | | | | 14 | |
| Leister Technologies AG Switzerland | | Format | Scale |  | Drawing number | Revision |
| | | A4 | 1:5 | | 020.864 | C |

Model: 020864-0001.asm

A

B



805 / 150.967
Relay 14 pins 4 contacts

810 / 160.826
Driver for Steppermotor

815 / 160.322
Driver for actuator
Y-Axis

825 / 160.320
Driver for actuator
Upper Wheel

820 / 160.321
Driver for actuator
X-Axis

1

2

3

Material: -

Volume:

| | |
|----------|----------------|
| Date | Drawn by |
| 13.02.20 | Fanger, Rafael |
| Date | Checked by |
| | |

Seamtek W-AT

Sheet

8

of

14

Leister Technologies AG
Switzerland

Format

A4

Scale

1:5



Drawing number

020.864

Revision

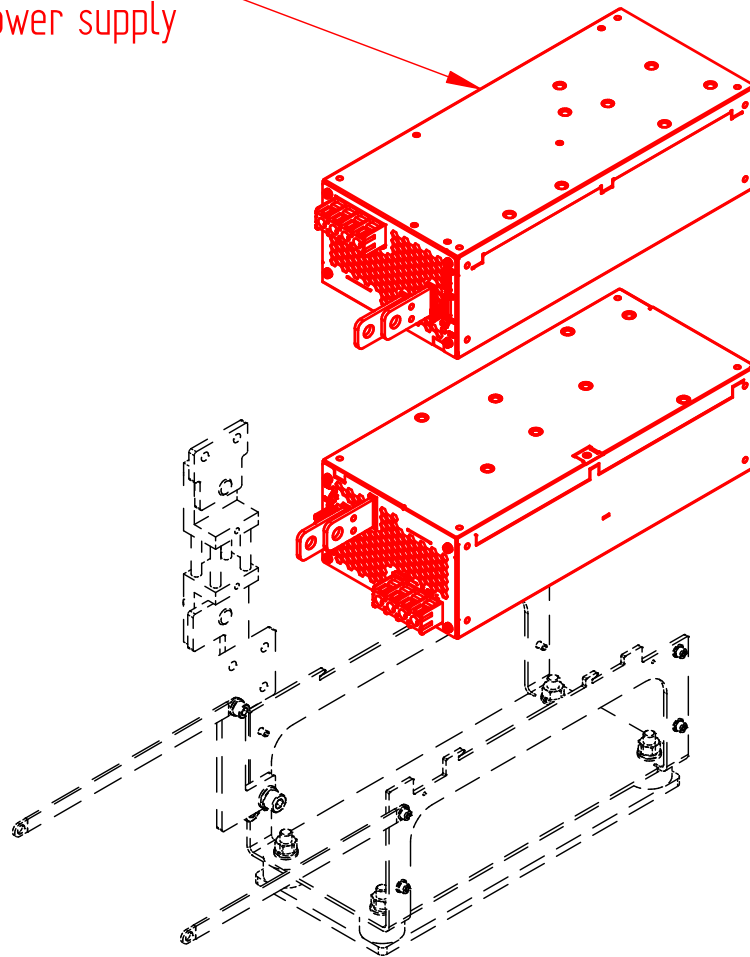
C

Model: 020864-0001.asm

A

B

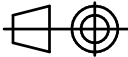
910 / 160.117
Power supply



This document and the information in it contained are property of LEISTER and as such, they are to be considered reserved.
Therefore, any reproduction in any form or by any means, without prior written permission of LEISTER is forbidden.

Material: -

Volume:

| | | | | | | |
|--|----------------|---------------------|-------|--|----------------|----------|
| Date | Drawn by | Seamtek W-AT | | | Sheet | |
| 13.02.20 | Fanger, Rafael | | | | 9 | |
| Date | Checked by | | | | of | |
| | | | | | 14 | |
| Leister Technologies AG Switzerland | | Format | Scale |  | Drawing number | Revision |
| | | A4 | 1:5 | | 020.864 | C |

Model: 020864-0001.asm

A

B

C

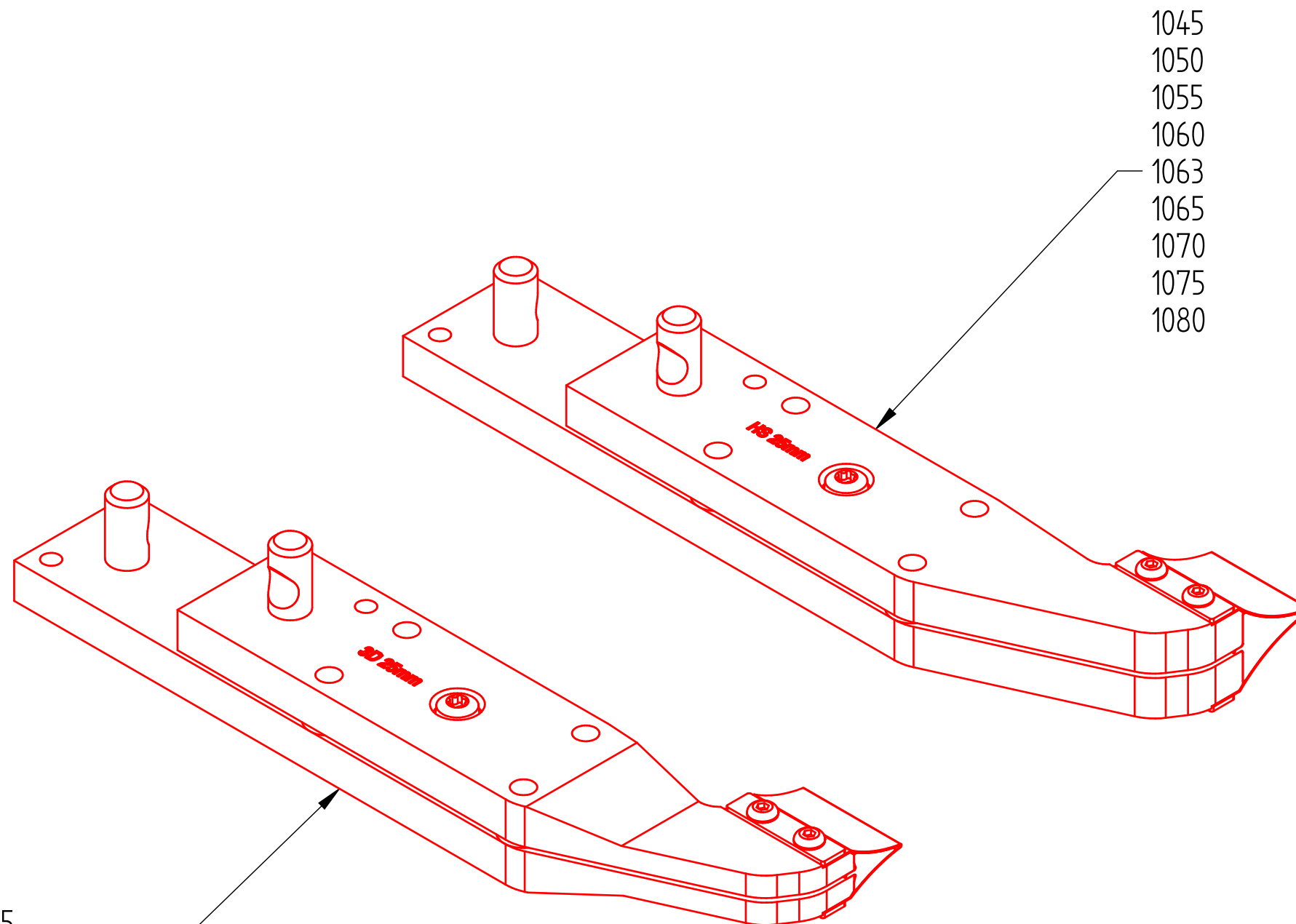
D

3D Wedge

| Pos. | Name | Art. Nr. |
|------|-----------------------|----------|
| 1005 | 3D wedge bracket 8mm | 162.854 |
| 1010 | 3D wedge bracket 13mm | 162.847 |
| 1015 | 3D wedge bracket 19mm | 162.846 |
| 1020 | 3D wedge bracket 25mm | 162.700 |
| 1023 | 3D wedge bracket 30mm | 160.111 |
| 1025 | 3D wedge bracket 38mm | 162.809 |
| 1030 | 3D wedge bracket 50mm | 162.818 |
| 1035 | 3D wedge bracket 57mm | 162.829 |
| 1040 | 3D wedge bracket 64mm | 162.837 |

HS Wedge

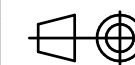
| Pos. | Name | Art. Nr. |
|------|-----------------------|----------|
| 1045 | HS wedge bracket 8mm | 163.172 |
| 1050 | HS wedge bracket 13mm | 163.173 |
| 1055 | HS wedge bracket 19mm | 163.174 |
| 1060 | HS wedge bracket 25mm | 163.175 |
| 1063 | HS wedge bracket 30mm | 160.110 |
| 1065 | HS wedge bracket 38mm | 163.176 |
| 1070 | HS wedge bracket 50mm | 163.177 |
| 1075 | HS wedge bracket 57mm | 163.178 |
| 1080 | HS wedge bracket 64mm | 163.179 |



1005
1010
1015
1020
1023
1025
1030
1035
1040

1045
1050
1055
1060
1063
1065
1070
1075
1080

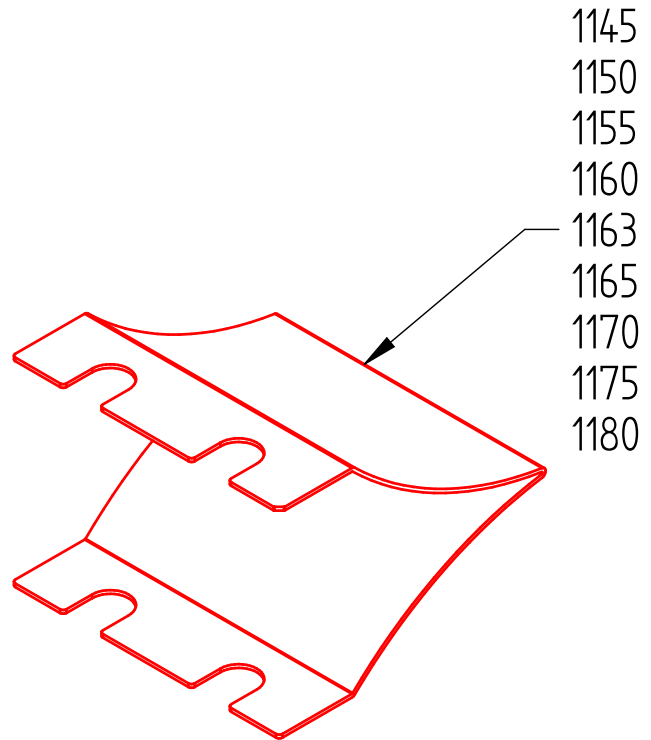
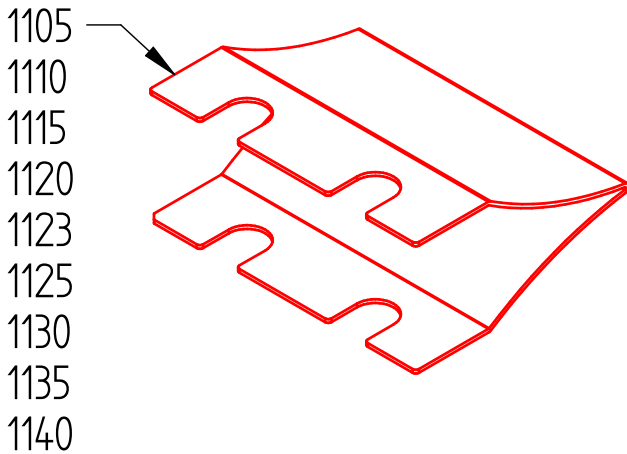
| | | | | | |
|--|----------------|--------------|-------|----------------|----------|
| Material: - | | | | Volume: | |
| Date | Drawn by | Seamtek W-AT | | | Sheet |
| 13.02.20 | Fanger, Rafael | | | | 10 |
| Date | Checked by | | | | of |
| | | | | 14 | |
| Leister Technologies AG Switzerland | | Format | Scale | Drawing number | Revision |
| | | A3 | 1:1 | | |



A

B

2:1



3D Wedge / Set of 5

| Pos. | Name | Art. Nr. |
|------|-------------------------|----------|
| 1105 | 3D Wedge set width 8mm | 163.419 |
| 1110 | 3D Wedge set width 13mm | 163.420 |
| 1115 | 3D Wedge set width 19mm | 163.421 |
| 1120 | 3D Wedge set width 25mm | 163.422 |
| 1123 | 3D Wedge set width 30mm | 165.009 |
| 1125 | 3D Wedge set width 38mm | 163.423 |
| 1130 | 3D Wedge set width 50mm | 163.424 |
| 1135 | 3D Wedge set width 57mm | 163.425 |
| 1140 | 3D Wedge set width 64mm | 163.426 |

HS Wedge / Set of 5

| Pos. | Name | Art. Nr. |
|------|-------------------------|----------|
| 1145 | HS Wedge set width 8mm | 163.427 |
| 1150 | HS Wedge set width 13mm | 163.428 |
| 1155 | HS Wedge set width 19mm | 163.429 |
| 1160 | HS Wedge set width 25mm | 163.430 |
| 1163 | HS Wedge set width 30mm | 165.008 |
| 1165 | HS Wedge set width 38mm | 163.431 |
| 1170 | HS Wedge set width 50mm | 163.432 |
| 1175 | HS Wedge set width 57mm | 163.433 |
| 1180 | HS Wedge set width 64mm | 163.434 |

All sets comes with bridge plates and M3 screws

Material: -

Volume:

| | |
|----------|----------------|
| Date | Drawn by |
| 13.02.20 | Fanger, Rafael |
| Date | Checked by |
| | |

Seamtek W-AT

Sheet

11

of

14

Leister Technologies AG
Switzerland

Format

A4

Scale

1:10



Drawing number

020.864

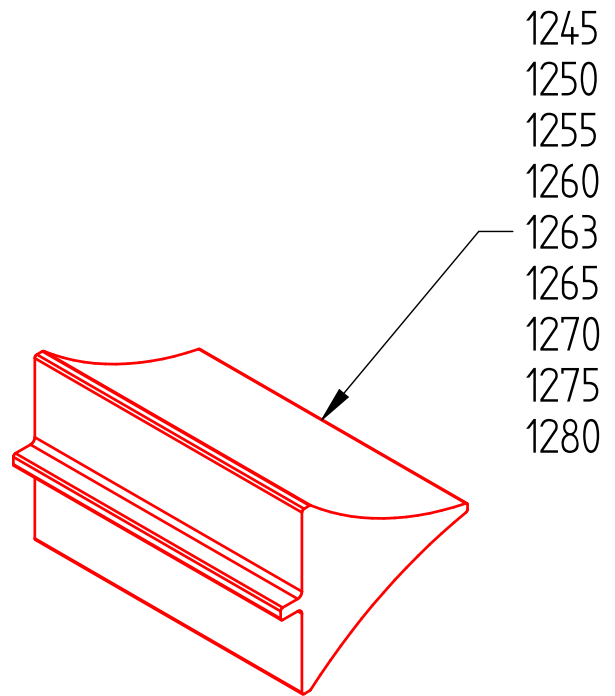
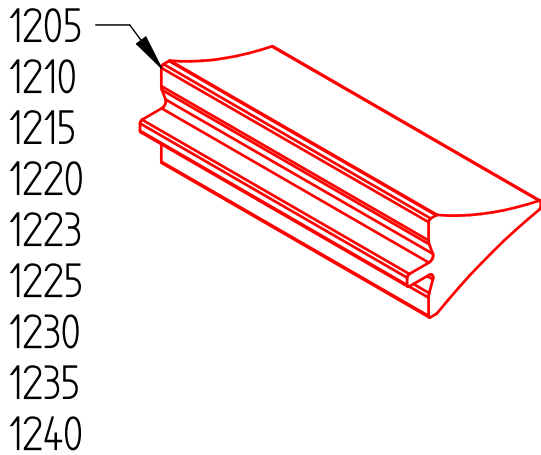
Revision

C

A

B

2:1



3D Filling piece

| Pos. | Name | Art. Nr. |
|------|-----------------------|----------|
| 1205 | 3D Filling piece 8mm | 162.857 |
| 1210 | 3D Filling piece 13mm | 162.850 |
| 1215 | 3D Filling piece 19mm | 162.843 |
| 1220 | 3D Filling piece 25mm | 162.701 |
| 1223 | 3D Filling piece 30mm | 163.386 |
| 1225 | 3D Filling piece 38mm | 162.805 |
| 1230 | 3D Filling piece 50mm | 162.820 |
| 1235 | 3D Filling piece 57mm | 162.831 |
| 1240 | 3D Filling piece 64mm | 162.836 |

HS Filling piece

| Pos. | Name | Art. Nr. |
|------|-----------------------|----------|
| 1245 | HS Filling piece 8mm | 163.193 |
| 1250 | HS Filling piece 13mm | 163.197 |
| 1255 | HS Filling piece 19mm | 163.397 |
| 1260 | HS Filling piece 25mm | 163.401 |
| 1263 | HS Filling piece 30mm | 163.390 |
| 1265 | HS Filling piece 38mm | 163.406 |
| 1270 | HS Filling piece 50mm | 163.410 |
| 1275 | HS Filling piece 57mm | 163.414 |
| 1280 | HS Filling piece 64mm | 163.418 |

Material: -

Volume:

| | |
|----------|----------------|
| Date | Drawn by |
| 13.02.20 | Fanger, Rafael |
| Date | Checked by |
| | |

Seamtek W-AT

Sheet

12

of

14

Leister Technologies AG
Switzerland

Format

A4

Scale

1:1



Drawing number

020.864

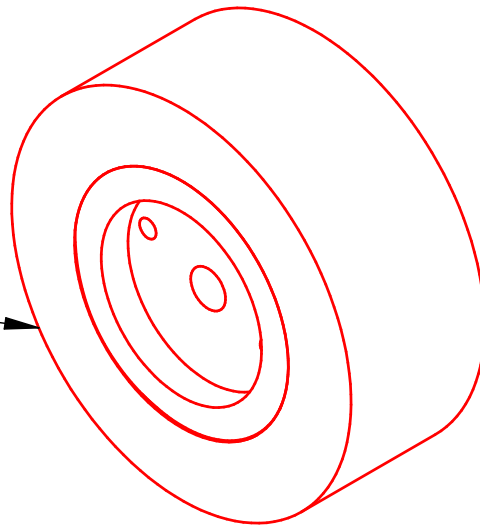
Revision

C

A

B

1305
1310
1315
1317
1320
1325
1330
1335
1340
1345
1350



Silicon wheel 50ShA

| Pos. | Name | Art. Nr. |
|------|------------------------------------|----------|
| 1305 | Silicon Wheel $\phi 63.5$ x 13mm | 155.401 |
| 1310 | Silicon Wheel $\phi 63.5$ x 19mm | 155.402 |
| 1315 | Silicon Wheel $\phi 63.5$ x 25mm | 155.403 |
| 1317 | Silicon Wheel $\phi 63.5$ x 30mm | 165.007 |
| 1320 | Silicon Wheel $\phi 63.5$ x 38mm | 155.404 |
| 1325 | Silicon Wheel $\phi 63.5$ x 50mm | 155.405 |
| 1330 | Silicon Wheel $\phi 63.5$ x 57mm | 155.406 |
| 1335 | Silicon Wheel $\phi 63.5$ x 64mm | 155.407 |
| 1340 | Silicon Wheel $\phi 63.5$ x custom | 155.408 |

Silicon wheel 30ShA

| Pos. | Name | Art. Nr. |
|------|------------------------------------|----------|
| 1345 | Silicon Wheel $\phi 63.5$ x custom | 155.411 |

Silicon wheel 70ShA

| Pos. | Name | Art. Nr. |
|------|------------------------------------|----------|
| 1350 | Silicon Wheel $\phi 63.5$ x custom | 155.409 |

Material: -

Volume:

| | |
|----------|----------------|
| Date | Drawn by |
| 13.02.20 | Fanger, Rafael |
| Date | Checked by |
| | |

Seamtek W-AT

Sheet

13

of

14

Leister Technologies AG
Switzerland

Format

A4

Scale

1:1



Drawing number

020.864

Revision

C

A

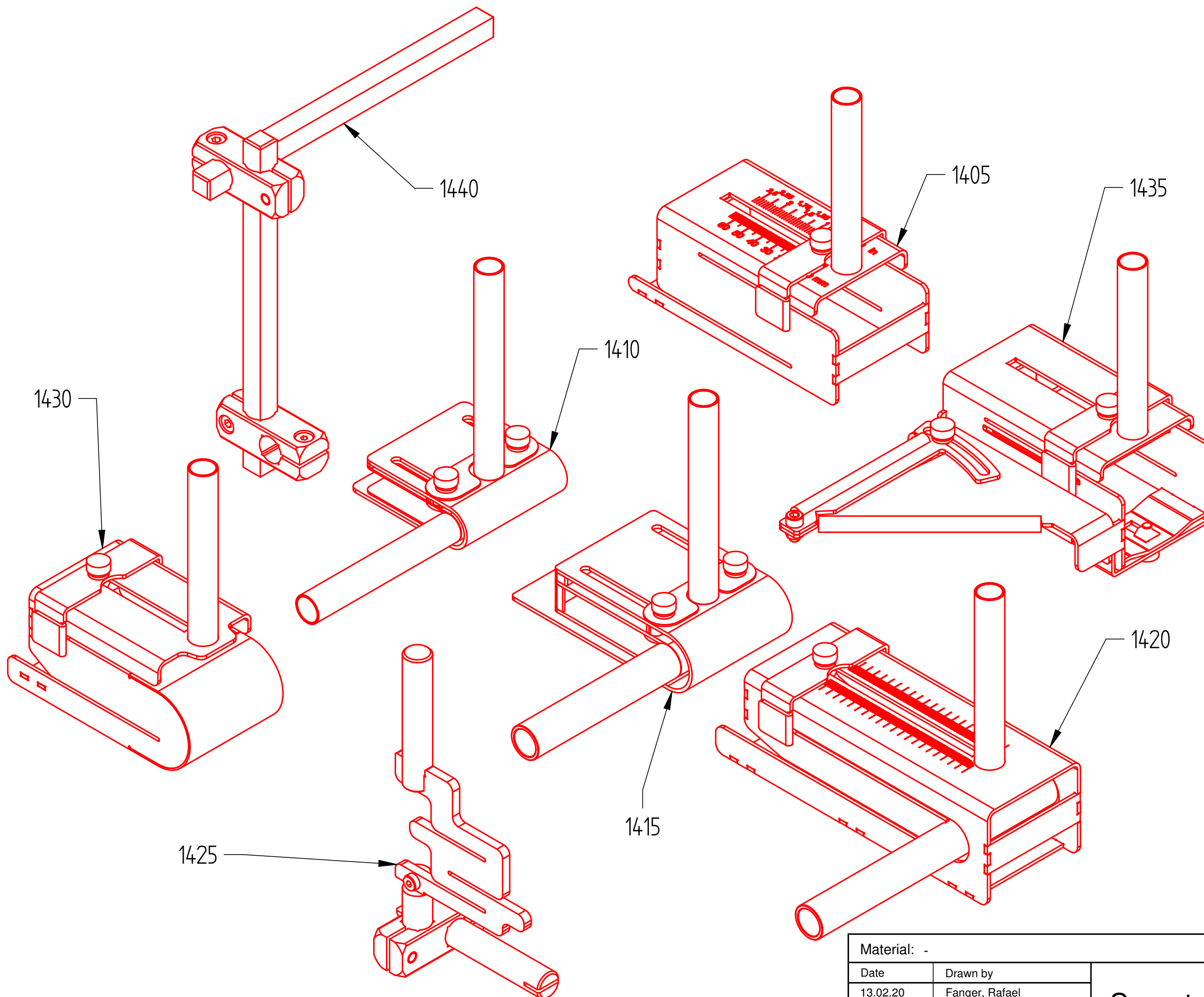
B

C

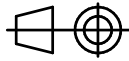
D

Guides

| Pos. | Name | Art. Nr. |
|------|-----------------------------|----------|
| 1405 | Overlap guide | 155.660 |
| 1410 | Hem guide small | 155.530 |
| 1415 | Hem guide big | 155.760 |
| 1420 | Open hem guide | 155.380 |
| 1425 | Modular 3D-/ prayer guide | 155.540 |
| 1430 | Overlap guide from the Left | 156.760 |
| 1435 | Bonding Tape guide | 156.770 |
| 1440 | Rodding for guides | 155.400 |
| 1445 | Overlap guide for quickarm | 156.780 |



This document and the information in it contained are property of LEISTER and as such, they are to be considered reserved. Therefore, any reproduction in any form or by any means, without prior written permission of LEISTER is forbidden.

| | | | | | | |
|--|----------------|---------------------|-------|---|----------------|----------|
| Material: - | | Volume: | | | | |
| Date | Drawn by | Seamtek W-AT | | | | |
| 13.02.20 | Fanger, Rafael | | | | | |
| Date | Checked by | | | | | |
| Leister Technologies AG Switzerland | | Format | Scale |  | Drawing number | Revision |
| | | A3 | 1:2 | | 020.864 | C |

Model: 020864--0001.asm