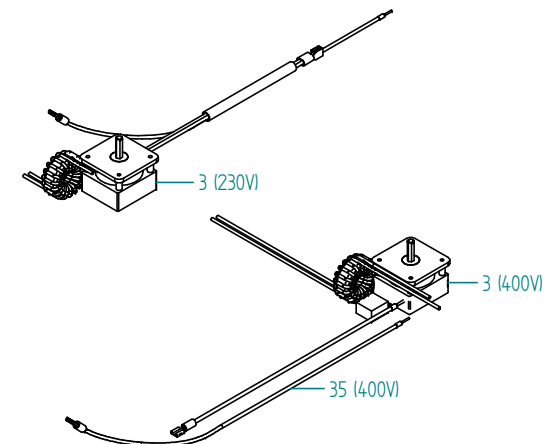
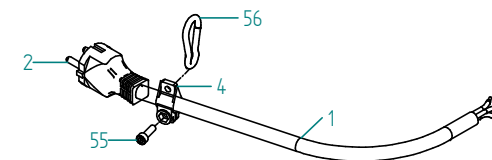
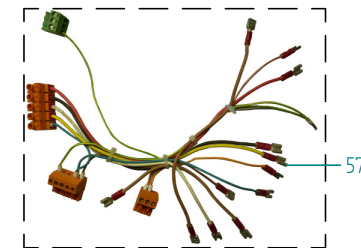
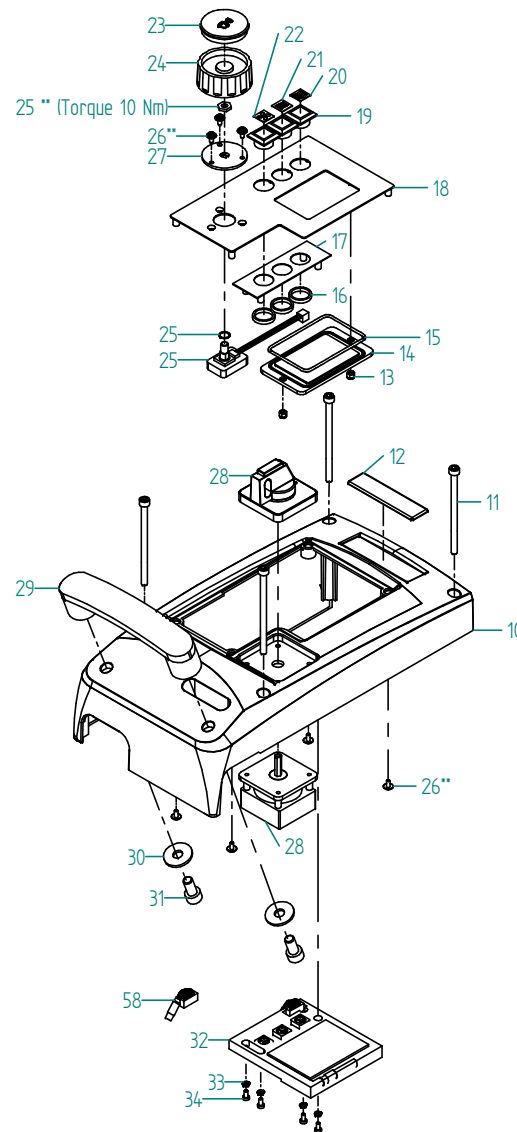
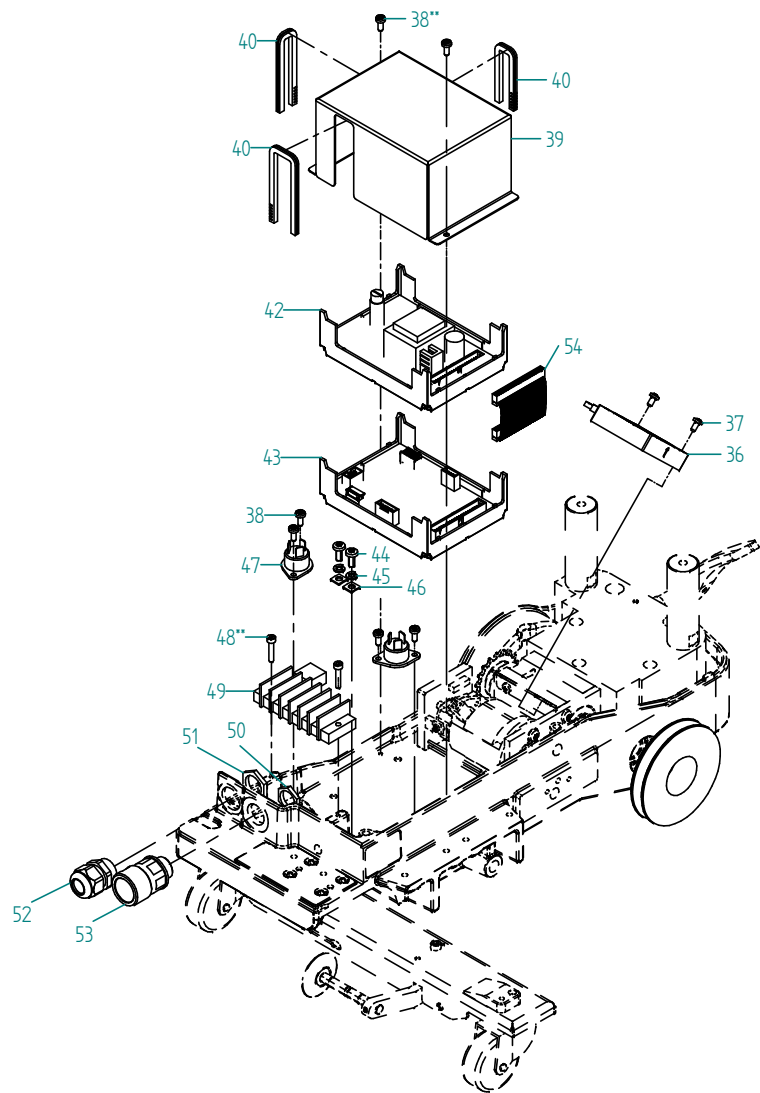


A

B

C

D



** = with 100.164 (Loctites 242) secured

Material:				Volume:		
Date	Drawn by	Electronics Variant T1			Sheet	
16.08.19	wfl				1	
Date	Checked by				of	
16.08.19	Strahl, Falko				1	
Leister Technologies AG Switzerland		Format	Scale		Drawing number	Revision
		A3	2:1		020.451	C