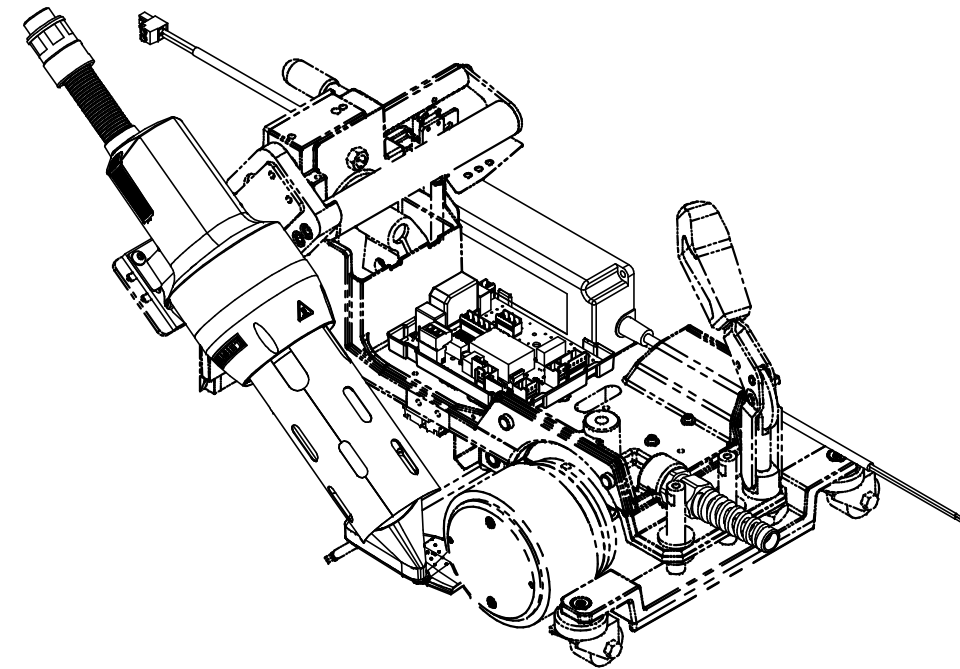
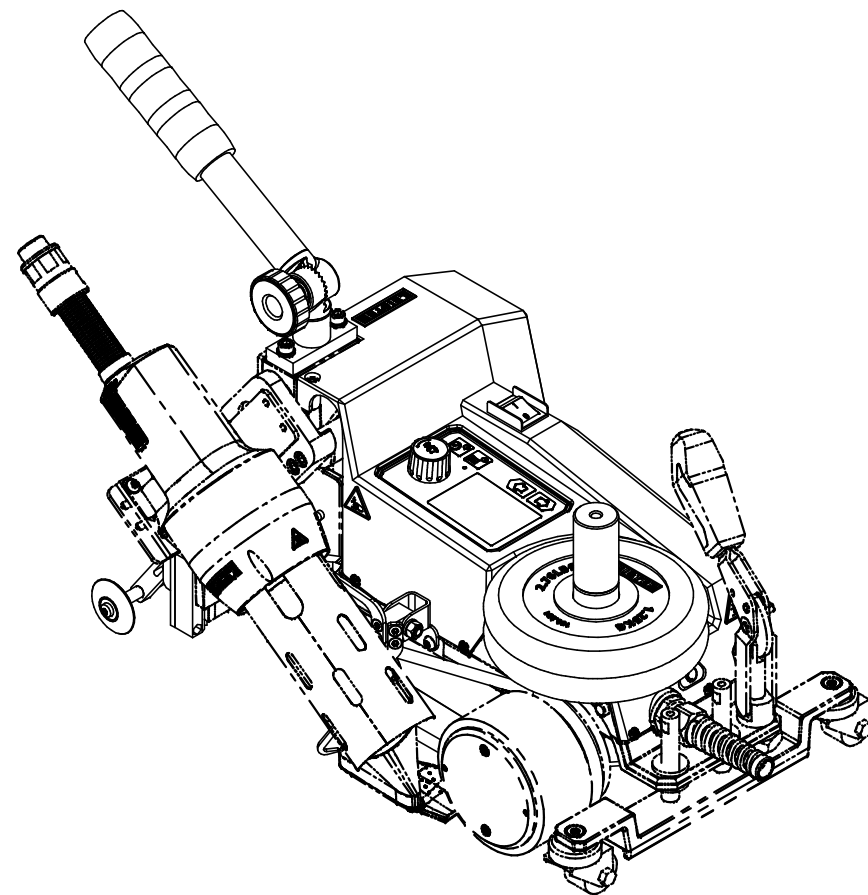


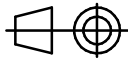
Sheet 2: Mechanics

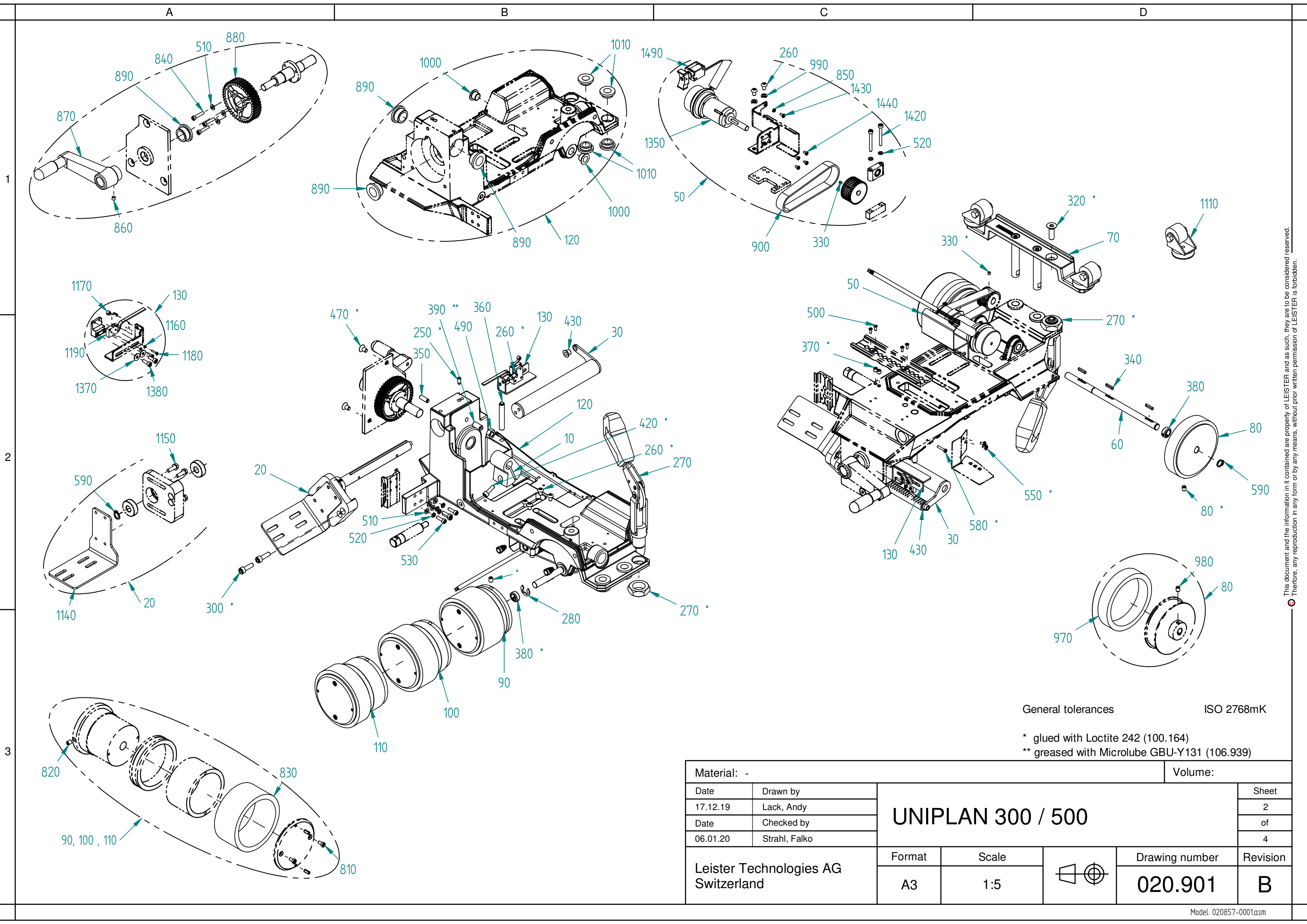


Sheet 3: Electronics and Hot air blower



Sheet 4: Housing and add-on pieces

| | | | | | | |
|--|---------------|--------------------------|-------|---|----------------|----------|
| Material: - | | | | Volume: | | |
| Date | Drawn by | UNIPLAN 300 / 500 | | | Sheet | |
| 17.12.19 | Lack, Andy | | | | 1 | |
| Date | Checked by | | | | of | |
| 06.01.20 | Strahl, Falko | | | | 4 | |
| Leister Technologies AG Switzerland | | Format | Scale |  | Drawing number | Revision |
| | | A3 | 1:5 | | 020.901 | B |



This document and the information it contains are property of LEISTER and as such, they are to be considered reserved.
 Therefore, any reproduction in any form or by any means, without prior written permission of LEISTER is forbidden.

General tolerances ISO 2768mK

* glued with Loctite 242 (100.164)
 ** greased with Microlube GBU-Y131 (106.939)

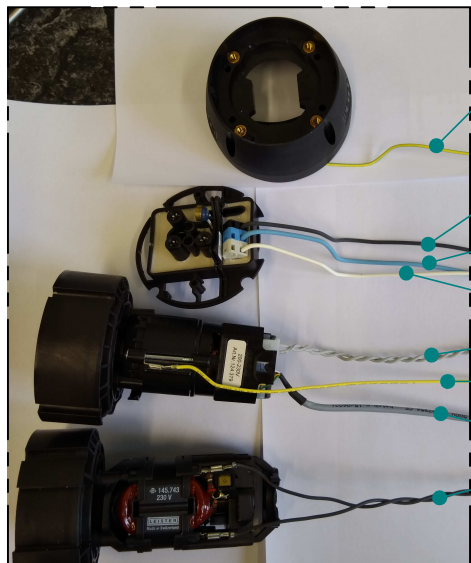
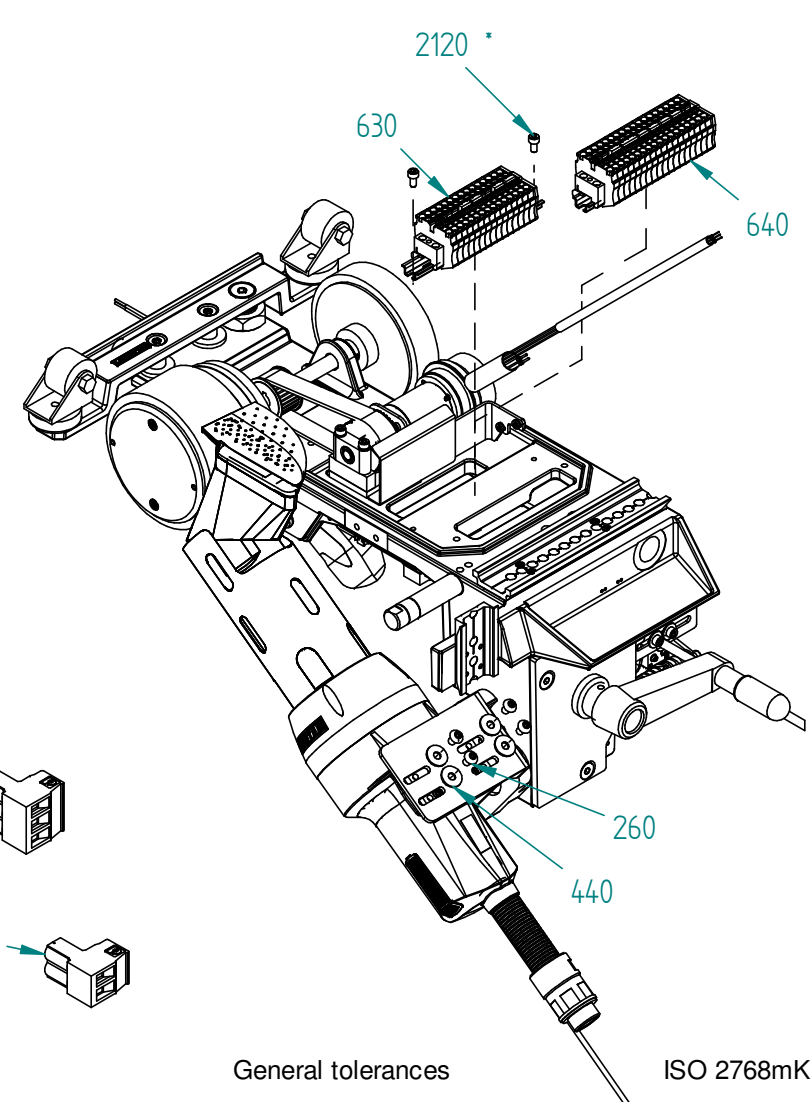
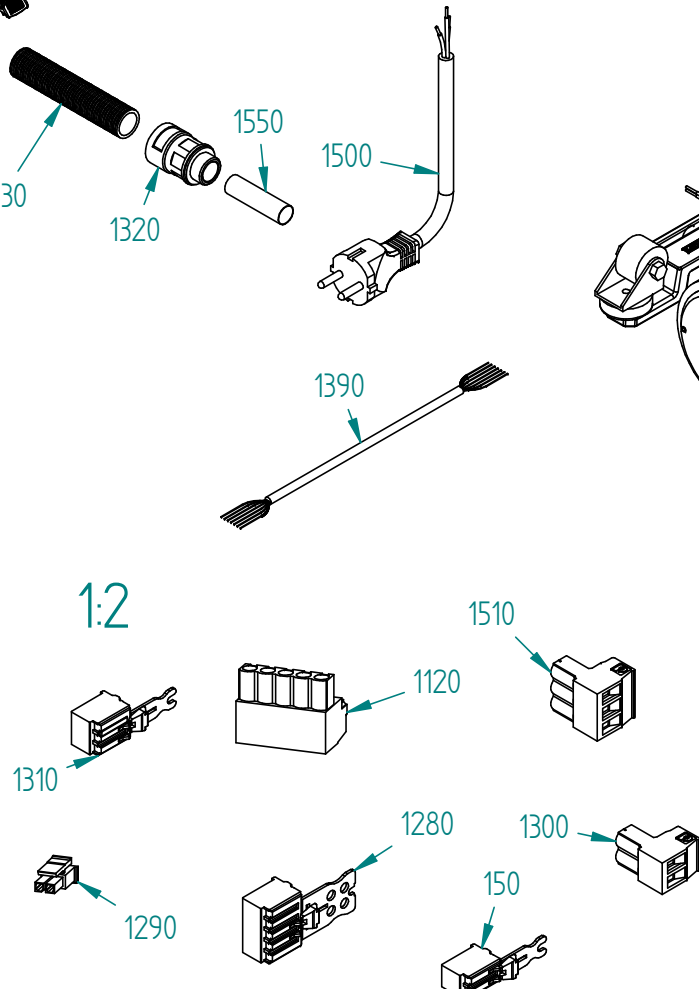
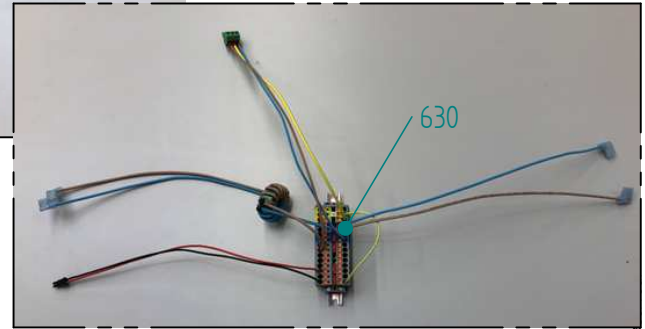
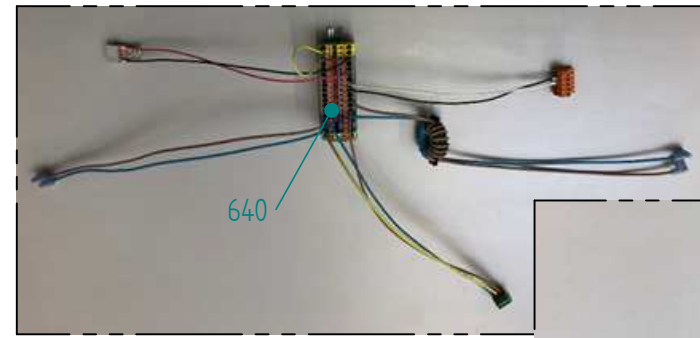
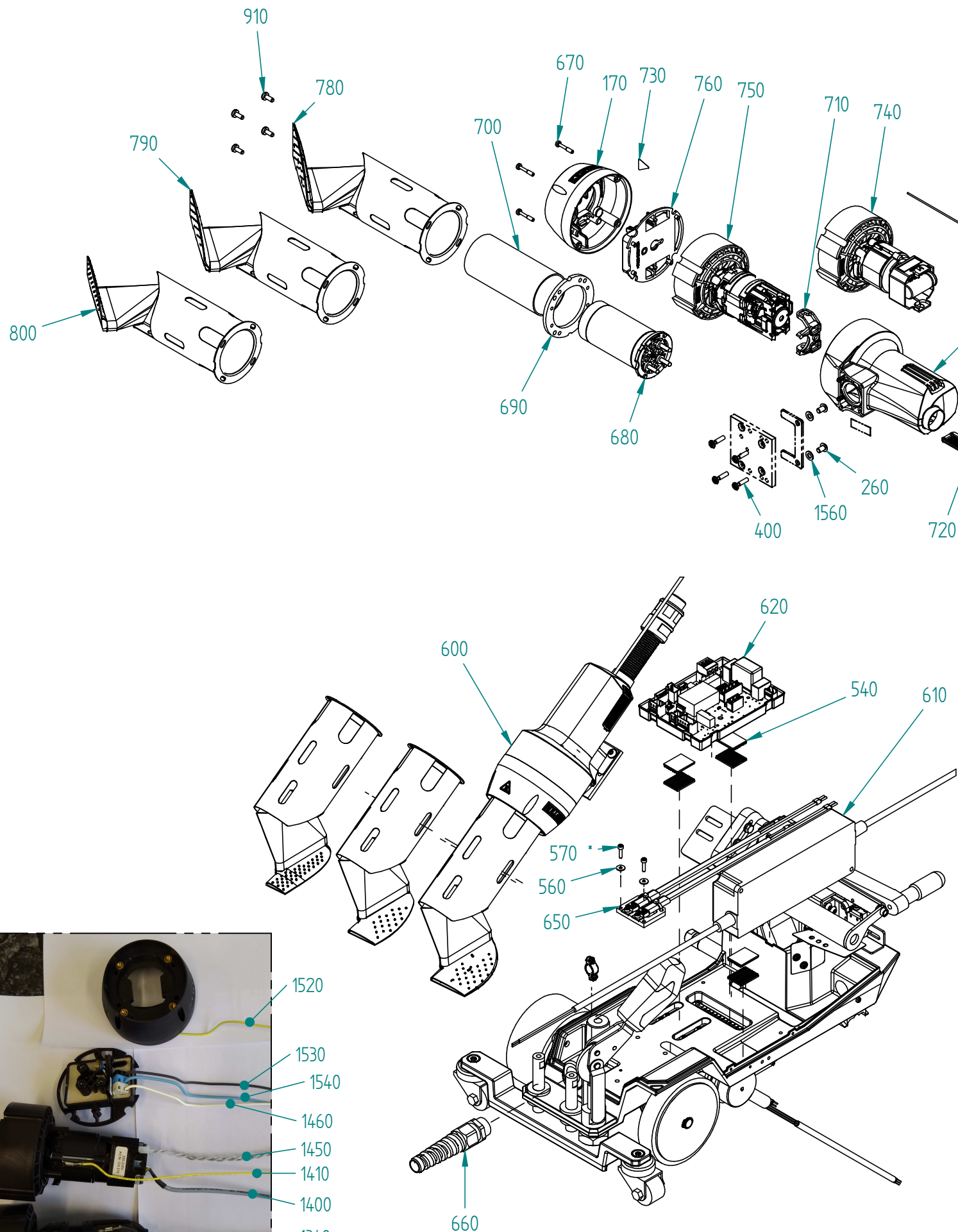
| | | | | | |
|--|---------------|--------------------------|-------|----------------|----------|
| Material: - | | Volume: | | | |
| Date | Drawn by | UNIPLAN 300 / 500 | | | |
| 17.12.19 | Lack, Andy | | | | |
| Date | Checked by | | | | |
| 06.01.20 | Strahl, Falko | Sheet | | | |
| Leister Technologies AG Switzerland | | Format | Scale | Drawing number | Revision |
| | | A3 | 1:5 | 020.901 | B |

A

B

C

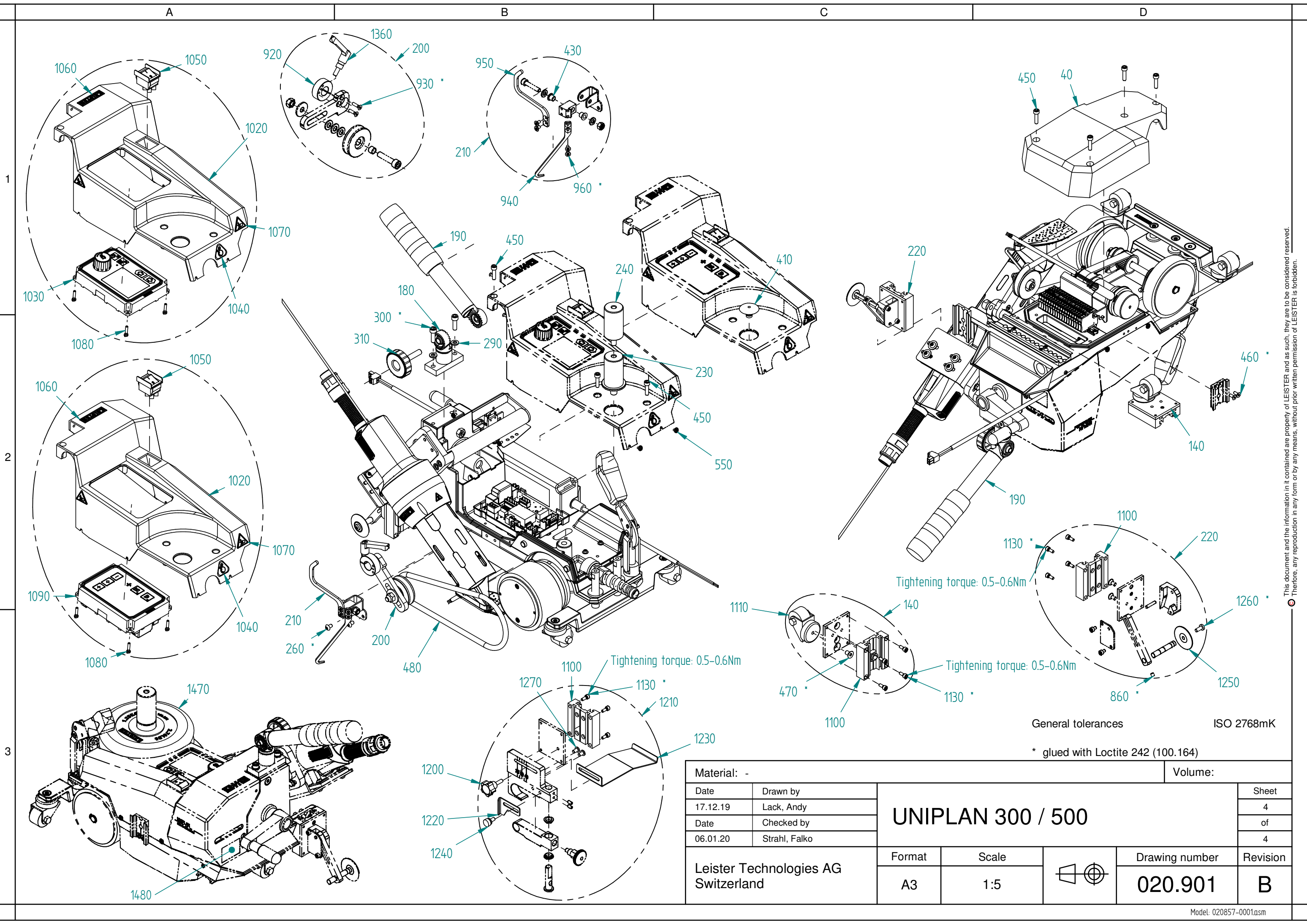
D



This document and the information it contains are property of LEISTER and as such, they are to be considered confidential. Therefore, any reproduction in any form or by any means, without prior written permission of LEISTER is forbidden.

General tolerances ISO 2768mK
 * glued with Loctite 242 (100.164)

| | | | |
|--|---------------|--------------------------|----------|
| Material: - | | Volume: | |
| Date | Drawn by | UNIPLAN 300 / 500 | |
| 17.12.19 | Lack, Andy | | |
| Date | Checked by | | |
| 06.01.20 | Strahl, Falko | Sheet | 3 |
| Leister Technologies AG Switzerland | | of | 4 |
| | | Revision | B |
| Format | Scale | Drawing number | Revision |
| A3 | 1:5 | 020.901 | B |



Tightening torque: 0.5-0.6Nm

Tightening torque: 0.5-0.6Nm

Tightening torque: 0.5-0.6Nm

General tolerances ISO 2768mK

* glued with Loctite 242 (100.164)

| | | | | | |
|--|---------------|--------------------------|-------|----------------|----------|
| Material: - | | Volume: | | | |
| Date | Drawn by | UNIPLAN 300 / 500 | | | |
| 17.12.19 | Lack, Andy | | | | |
| Date | Checked by | | | | |
| 06.01.20 | Strahl, Falko | Format | Scale | Drawing number | Revision |
| Leister Technologies AG Switzerland | | A3 | 1:5 | 020.901 | B |

This document and the information in it contained are property of LEISTER and as such, they are to be considered reserved. Therefore, any reproduction in any form or by any means, without prior written permission of LEISTER is forbidden.