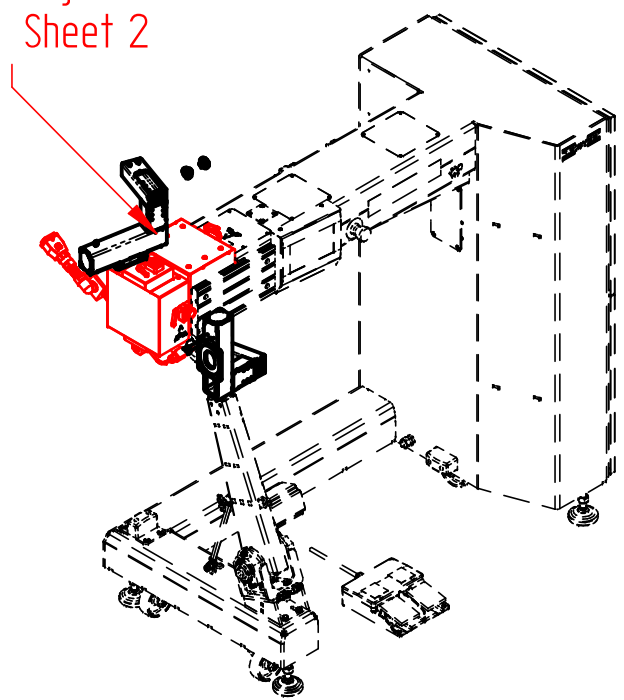
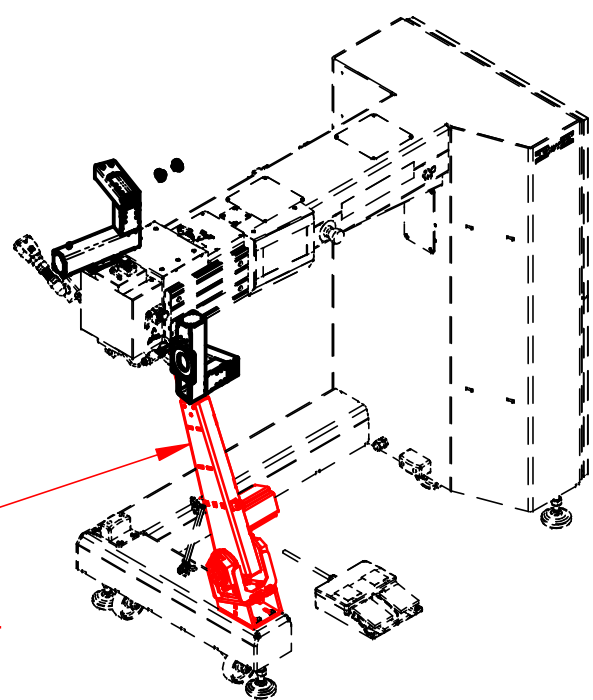


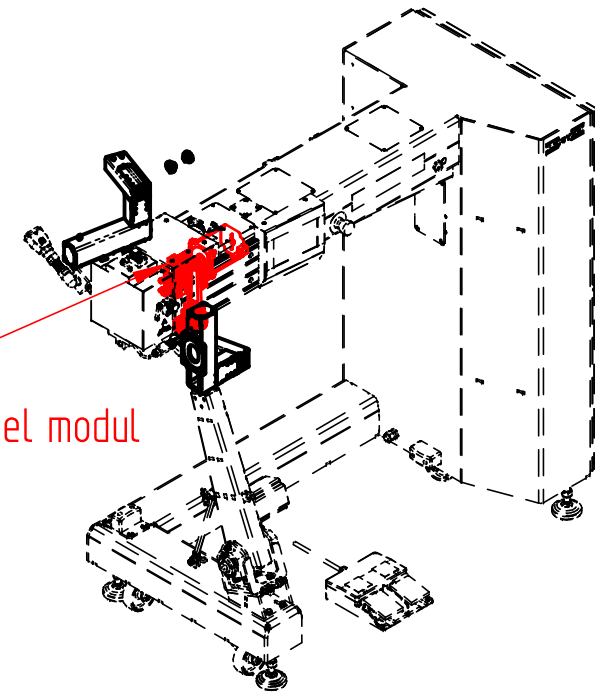
Adjustable hot air modul
Sheet 2



Pedestal
Sheet 3

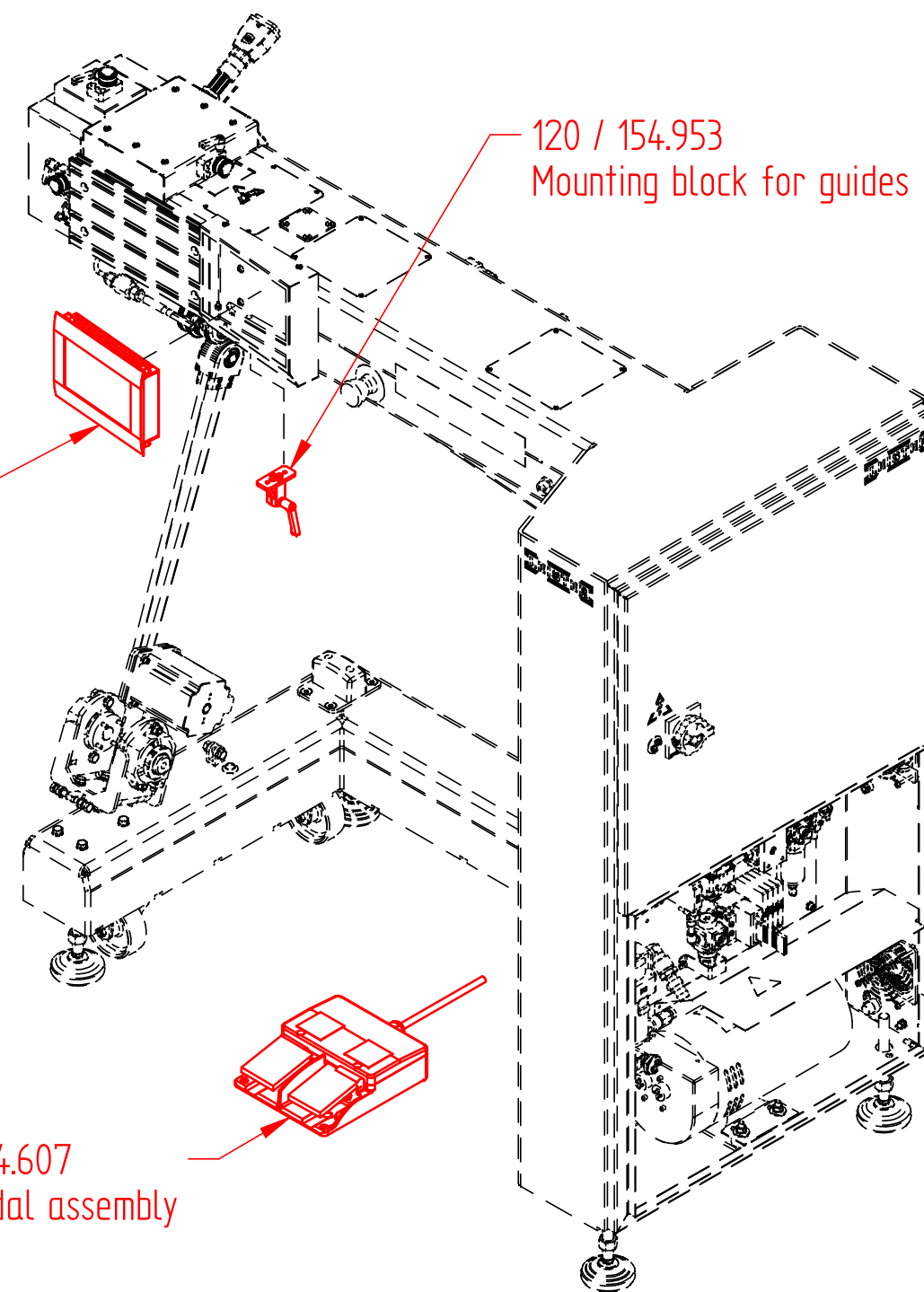


Upper wheel modul
Sheet 4



1:10

110 / 155.550
Panel PC



120 / 154.953
Mounting block for guides

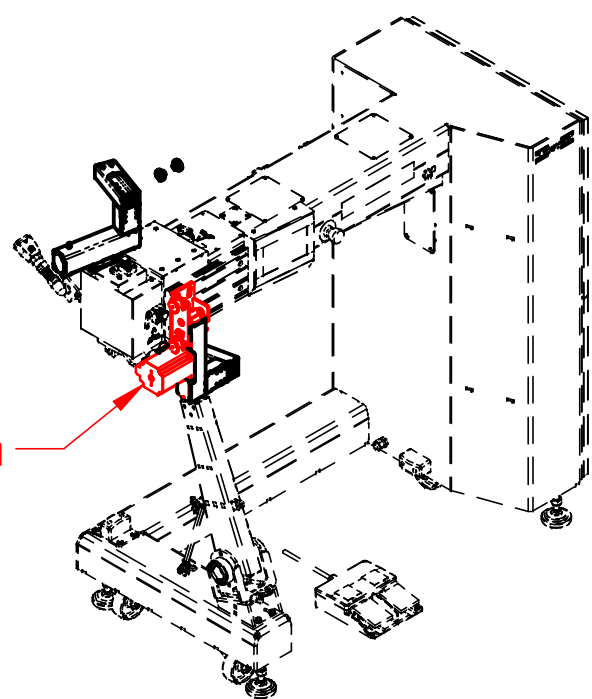
130 / 156.777
Air Filter Set

140 / 155.658
Quick-lock coupling

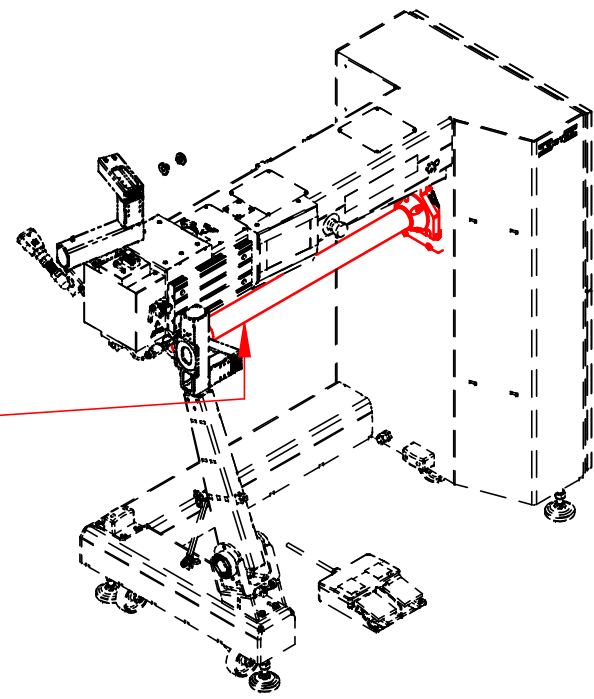
150 / 157.123
Fan 92mm 24VDC

160 / 154.607
Foot pedal assembly

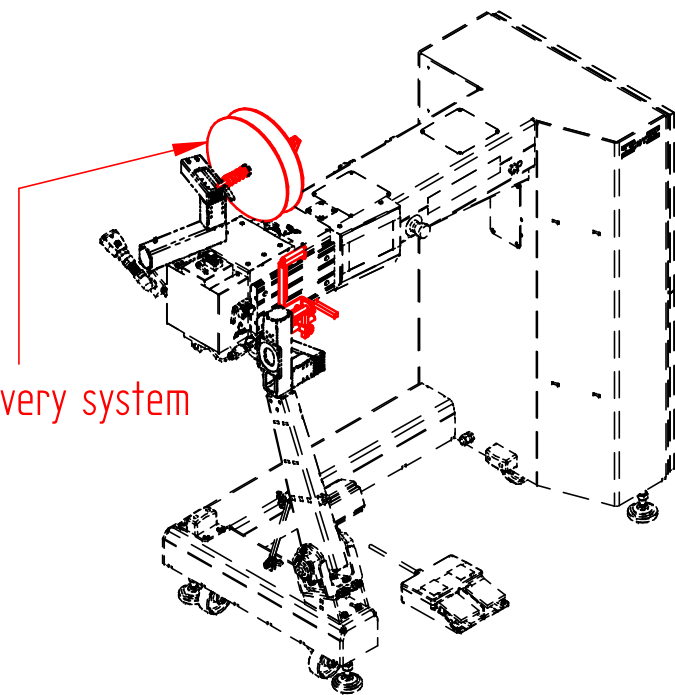
Quickarm
Sheet 5



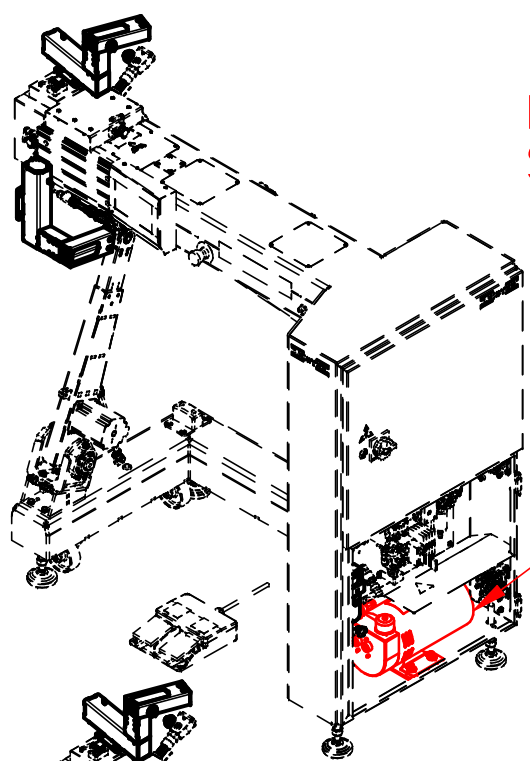
Sidearm
Sheet 6



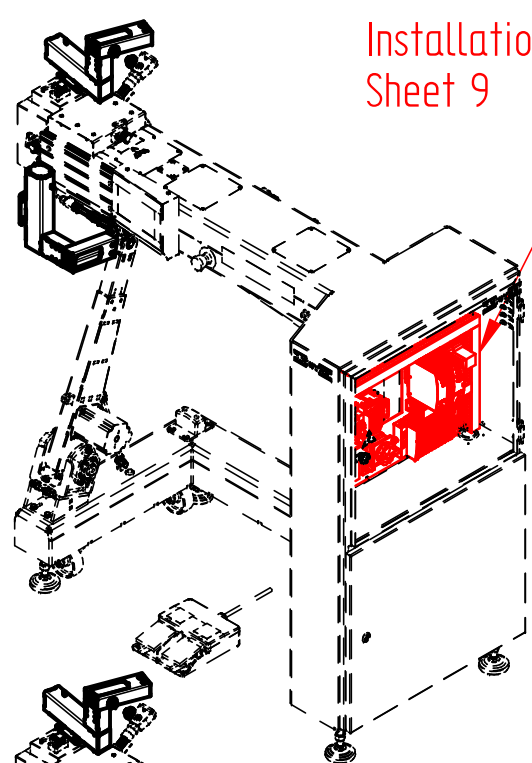
Tape delivery system
Sheet 7



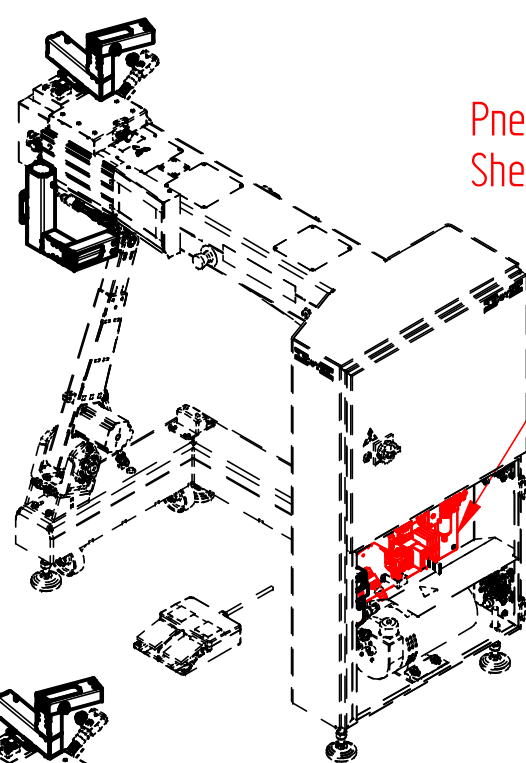
Pump unit
Sheet 8



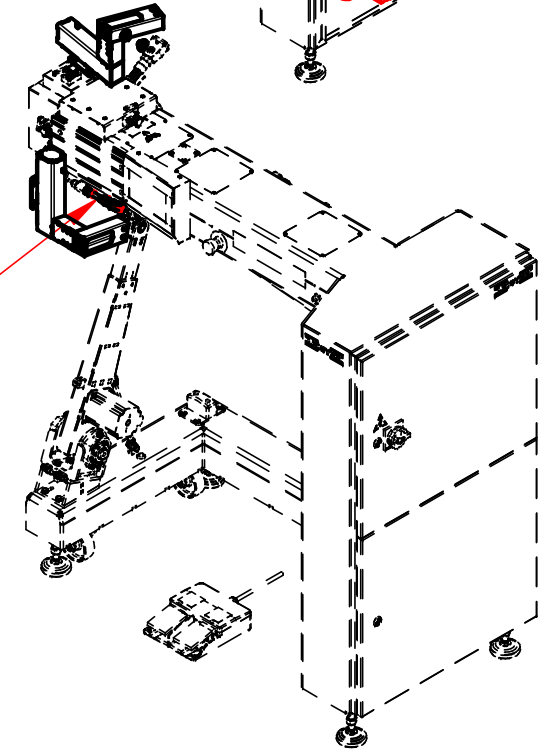
Installation panel loaded
Sheet 9



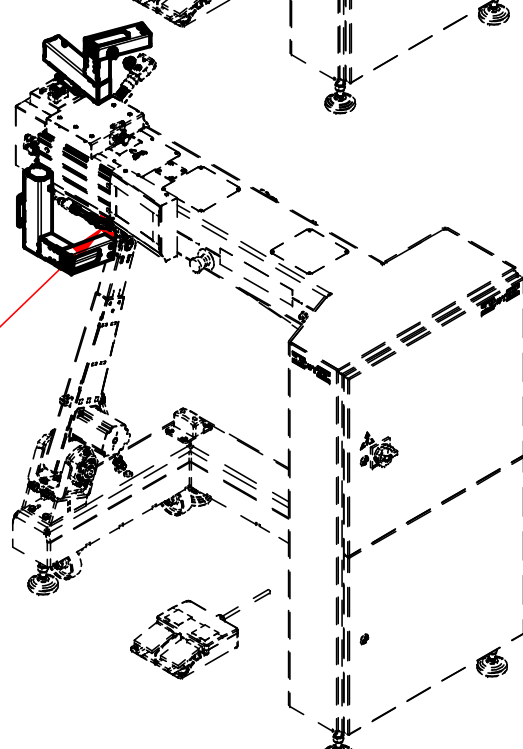
Pneumatic assembly
Sheet 10



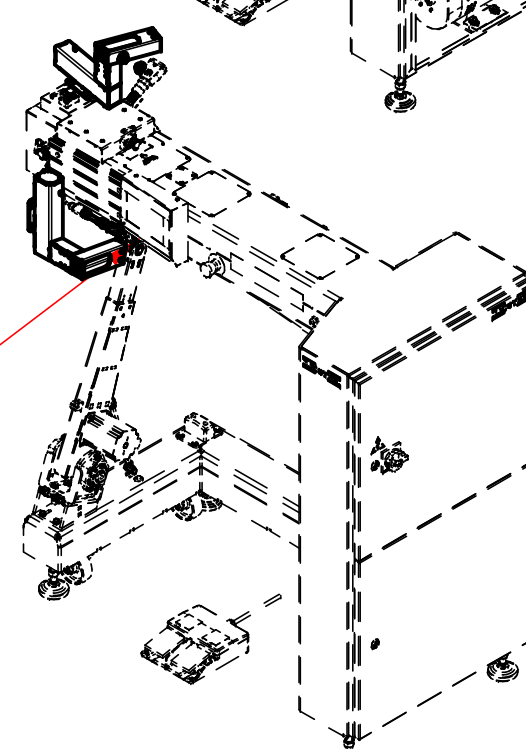
Nozzles
Sheet 11



Wheels
Sheet 12



Guides
Sheet 13



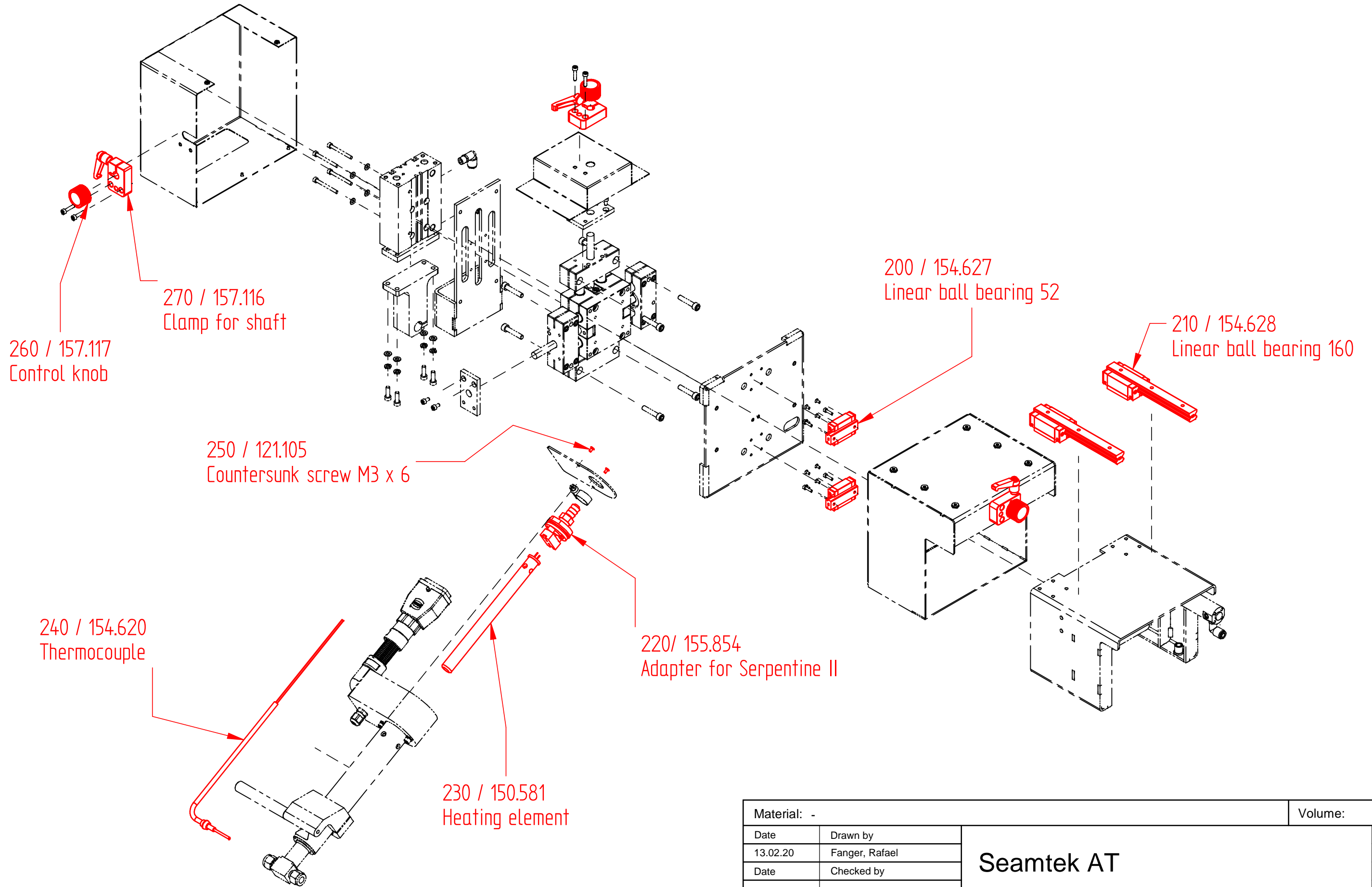
| | | | | | |
|--|----------------|---------|-------|----------------|----------|
| Material: - | | Volume: | | | |
| Date | Drawn by | Sheet | | | |
| 13.02.20 | Fanger, Rafael | 1 | | | |
| Date | Checked by | of | | | |
| | | 13 | | | |
| Leister Technologies AG Switzerland | | Format | Scale | Drawing number | Revision |
| | | A2 | 1:20 | | |

This document and the information in it contained are property of LEISTER and as such, they are to be considered reserved. Therefore, any reproduction in any form or by any means, without prior written permission of LEISTER is forbidden.

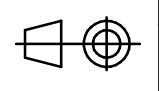
1

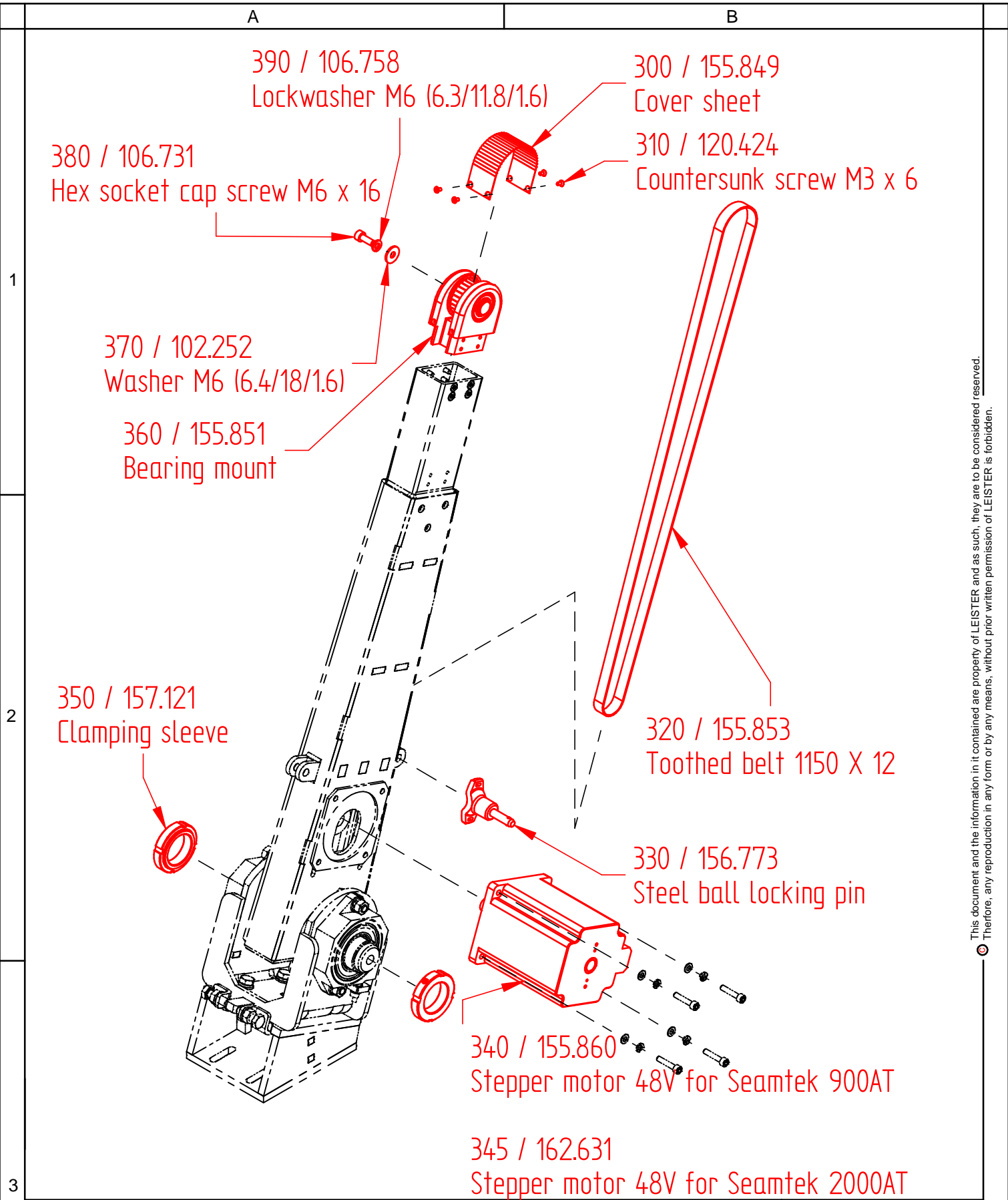
2

3



| | | | | | |
|--|----------------|-------------------|-------|----------------|----------|
| Material: - | | | | Volume: | |
| Date | Drawn by | Seamtek AT | | | Sheet |
| 13.02.20 | Fanger, Rafael | | | | 2 |
| Date | Checked by | | | | of |
| | | | | 13 | |
| Leister Technologies AG Switzerland | | Format | Scale | Drawing number | Revision |
| | | A3 | 1:5 | | |





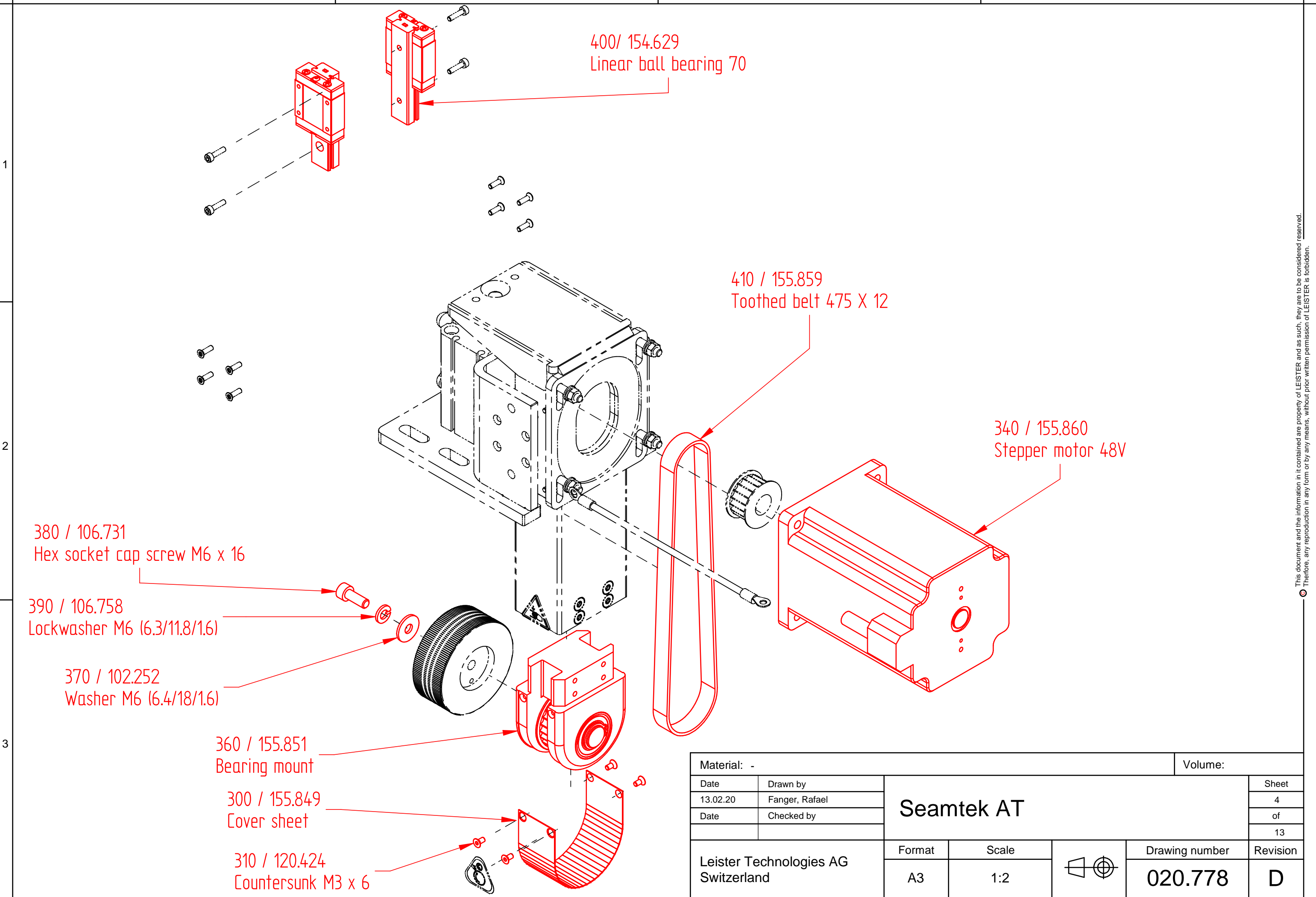
This document and the information in it contained are property of LEISTER and as such, they are to be considered reserved.
 Therefore, any reproduction in any form or by any means, without prior written permission of LEISTER is forbidden.

| | | | | | |
|--|----------------|-------------------|-------|----------|----------------|
| Material: - | | | | Volume: | |
| Date | Drawn by | Seamtek AT | | | Sheet |
| 13.02.20 | Fanger, Rafael | | | | 3 |
| Date | Checked by | | | | of |
| | | | 13 | Revision | |
| Leister Technologies AG Switzerland | | Format | Scale | | Drawing number |
| | | A4 | 1:5 | | 020.778 |
| | | | | | D |

1

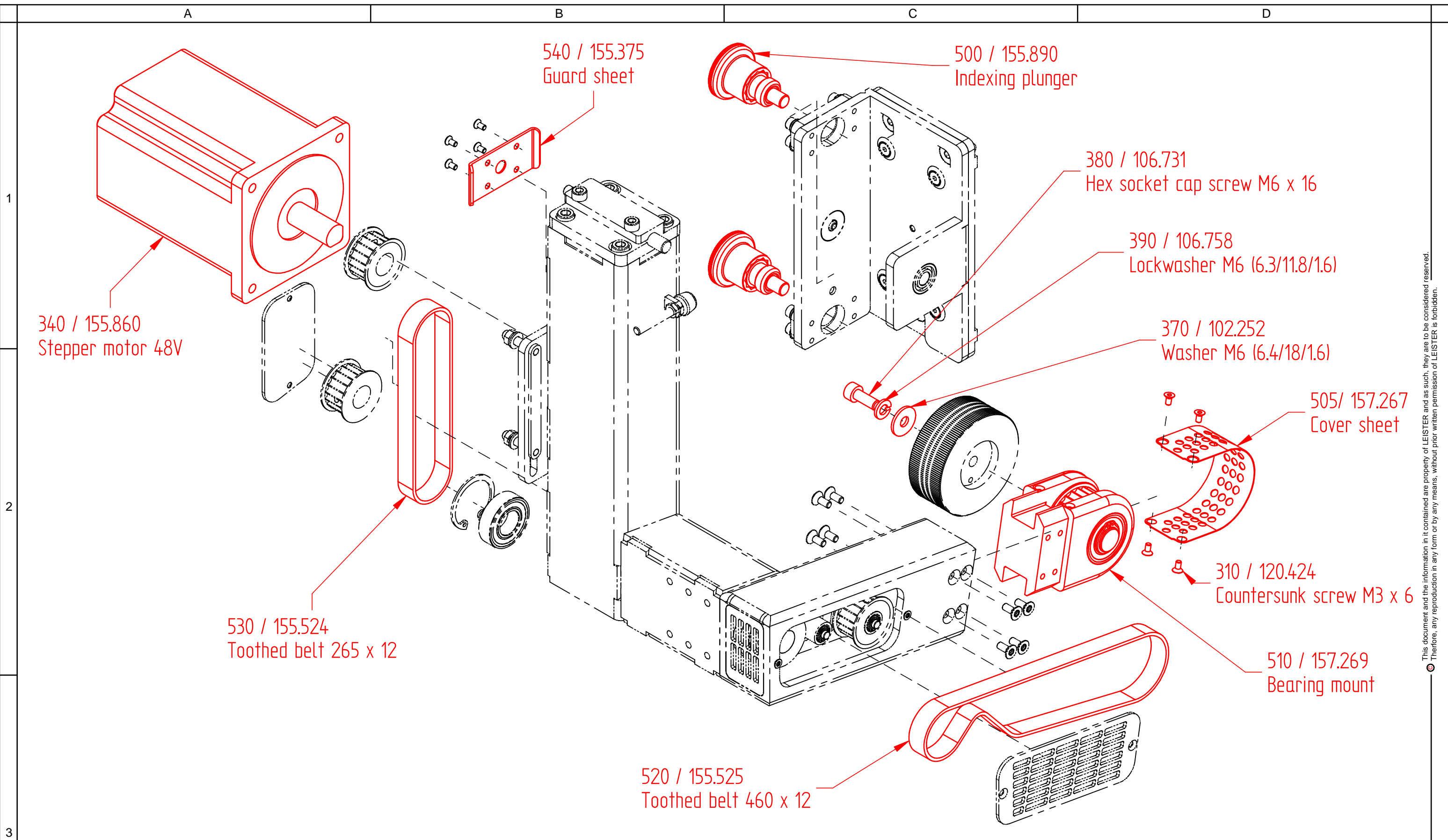
2

3

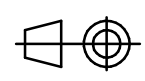


| | | | | | |
|--|----------------|-------------------|-------|----------------|----------|
| Material: - | | | | Volume: | |
| Date | Drawn by | Seamtek AT | | | Sheet |
| 13.02.20 | Fanger, Rafael | | | | 4 |
| Date | Checked by | | | | of |
| | | | 13 | | |
| Leister Technologies AG Switzerland | | Format | Scale | Drawing number | Revision |
| | | A3 | 1:2 | 020.778 | D |

This document and the information in it contained are property of LEISTER and as such, they are to be considered reserved. Therefore, any reproduction in any form or by any means, without prior written permission of LEISTER is forbidden.



This document and the information in it contained are property of LEISTER and as such, they are to be considered reserved. Therefore, any reproduction in any form or by any means, without prior written permission of LEISTER is forbidden.

| | | | | | | |
|--|----------------|-------------------|-------|---|----------------|----------|
| Material: - | | | | Volume: | | |
| Date | Drawn by | Seamtek AT | | | Sheet | |
| 13.02.20 | Fanger, Rafael | | | | 5 | |
| Date | Checked by | | | | of | |
| | | | 13 | | | |
| Leister Technologies AG Switzerland | | Format | Scale |  | Drawing number | Revision |
| | | A3 | 1:2 | | 020.778 | D |

A

B

C

D

1

2

3

380 / 106.731
Hex socket cap screw M6 x 16

390 / 106.758
Spring washer M6 6.3/11.8/1.6

370 / 102.252
Washer M6 6.4/18/1.6

620 / 157.621
Shaft assembly

630 / 157.617
Quick release toggle nut

600 / 155.382
Gear

610 / 155.383
Gear

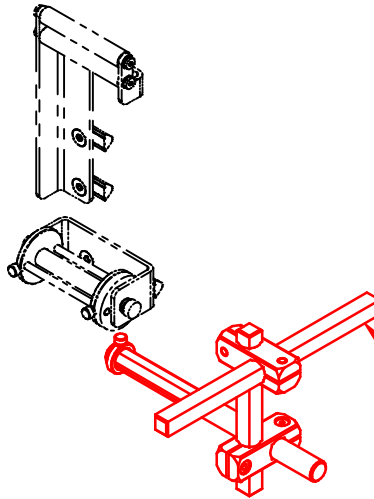
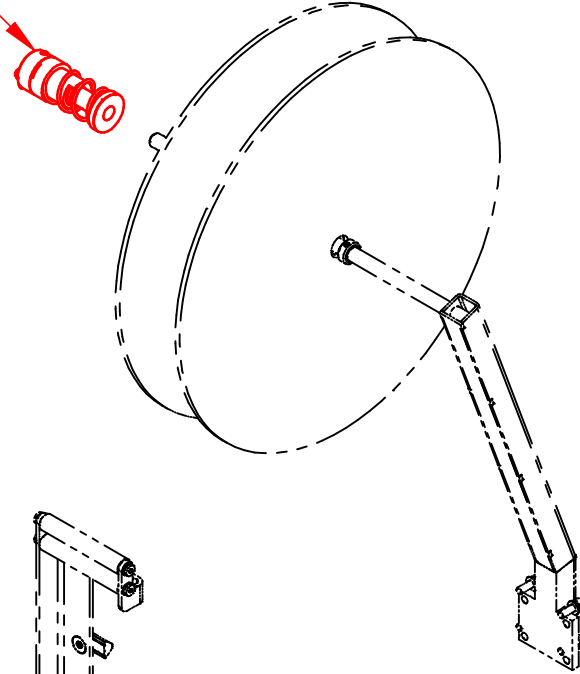
340 / 155.860
Stepper motor 48V

| | | | | | |
|--|----------------|------------|-------|----------------|----------|
| Material: - | | | | Volume: | |
| Date | Drawn by | Seamtek AT | | | Sheet |
| 13.02.20 | Fanger, Rafael | | | | 6 |
| Date | Checked by | | | | of |
| | | | | 13 | |
| Leister Technologies AG Switzerland | | Format | Scale | Drawing number | Revision |
| | | A3 | 1:2 | | 020.778 |

A

B

710 / 155.870
Brake assembly



700 / 154.760
Adjustment unit tape guide

This document and the information in it contained are property of LEISTER and as such, they are to be considered reserved.
Therefore, any reproduction in any form or by any means, without prior written permission of LEISTER is forbidden.

Material: -

Volume:

| | |
|----------|----------------|
| Date | Drawn by |
| 13.02.20 | Fanger, Rafael |
| Date | Checked by |
| | |

Seamtek AT

Sheet

7

of

13

Leister Technologies AG
Switzerland

Format

A4

Scale

1:5



Drawing number

020.778

Revision

D

Model: 020778-0001.asm

A

B

1

820 / 151.448
pressure relief Valve

800 / 150.609
Air pump big

130 / 156.777
Air Filter Set

2

810 / 155.663
Rubber buffer

830 / 158.514
Air filter

3

Material: -

Volume:

Date

Drawn by

Sheet

13.02.20

Fanger, Rafael

8

Date

Checked by

of

13

Seamtek AT

Leister Technologies AG
Switzerland

Format

Scale



Drawing number

Revision

A4

1:5

020.778

D

Model: 020778-0001.asm

A

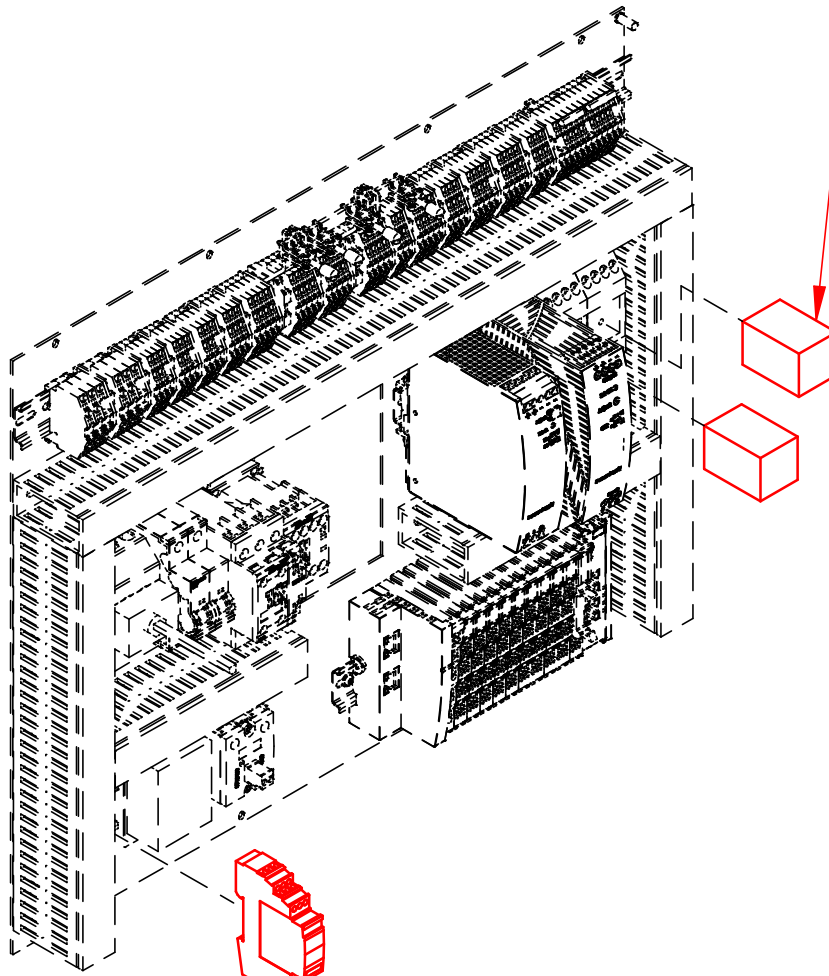
B

1

2

3

900 / 150.967
Relay 14 pins 4 contacts



910 / 134.221
Surge Arrester, Type 3

This document and the information in it contained are property of LEISTER and as such, they are to be considered reserved.
Therefore, any reproduction in any form or by any means, without prior written permission of LEISTER is forbidden.

Material: -

Volume:

| | |
|----------|----------------|
| Date | Drawn by |
| 13.02.20 | Fanger, Rafael |
| Date | Checked by |
| | |

Seamtek AT

Sheet

9

of

13

Leister Technologies AG
Switzerland

Format

A4

Scale

1:5



Drawing number

020.778

Revision

D

Model: 020778-0001.asm

A

B

C

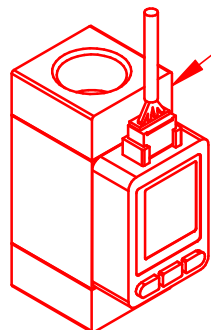
D

1

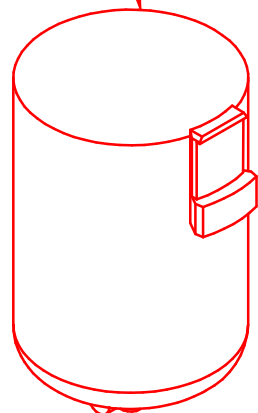
2

3

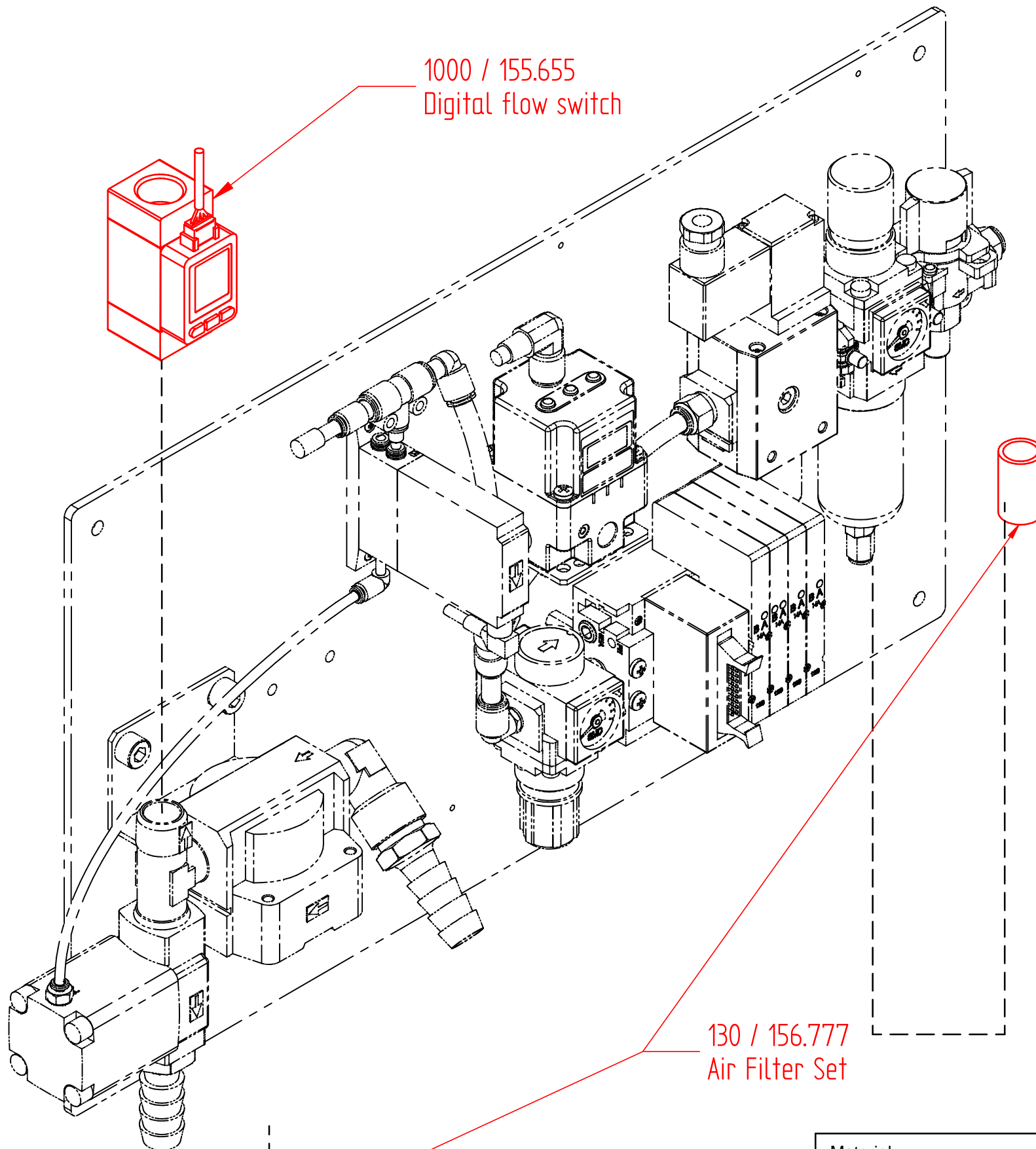
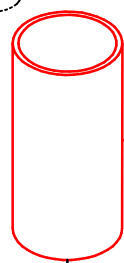
1000 / 155.655
Digital flow switch



1010 / 155.644
Filter housing



130 / 156.777
Air Filter Set



| | | | | | |
|--|----------------|------------|-------|----------------|----------|
| Material: - | | | | Volume: | |
| Date | Drawn by | Seamtek AT | | | Sheet |
| 13.02.20 | Fanger, Rafael | | | | 10 |
| Date | Checked by | | | | of |
| | | | 13 | | |
| Leister Technologies AG Switzerland | | Format | Scale | Drawing number | Revision |
| | | A3 | 1:2 | 020.778 | D |

A

B

C

D

Standard Nozzles

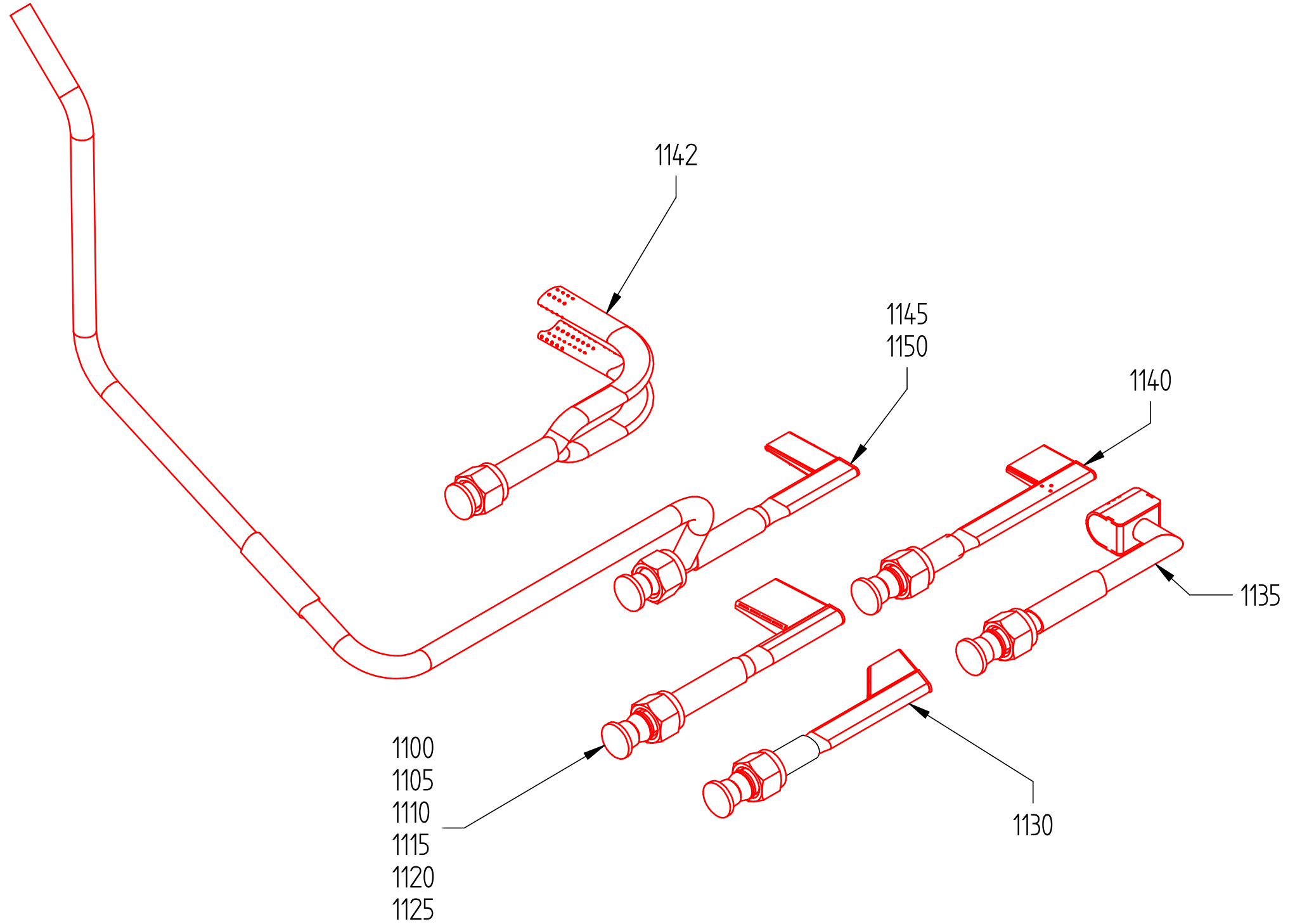
| Pos. | Name | Art. Nr. |
|------|---------------------|----------|
| 1100 | Seamtek Nozzle 19mm | 151.601 |
| 1105 | Seamtek Nozzle 25mm | 151.597 |
| 1110 | Seamtek Nozzle 38mm | 151.608 |
| 1115 | Seamtek Nozzle 50mm | 151.599 |
| 1120 | Seamtek Nozzle 55mm | 151.850 |
| 1125 | Seamtek Nozzle 64mm | 151.600 |

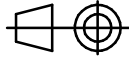
Application Nozzles

| Pos. | Name | Art. Nr. |
|------|------------------------------------|----------|
| 1130 | Seamtek heming nozzle 25mm | 152.956 |
| 1135 | Seamtek Tapingnozzle 25mm | 153.730 |
| 1140 | Seamtek closing nozzle 25mm | 152.941 |
| 1142 | Seamtek Keder Nozzle ϕ 8 - 13 | 175.559 |

Low-Flow Nozzles

| Pos. | Name | Art. Nr. |
|------|------------------------------|----------|
| 1145 | Seamtek Nozzle Low Flow 8mm | 157.808 |
| 1150 | Seamtek Nozzle Low Flow 13mm | 157.799 |

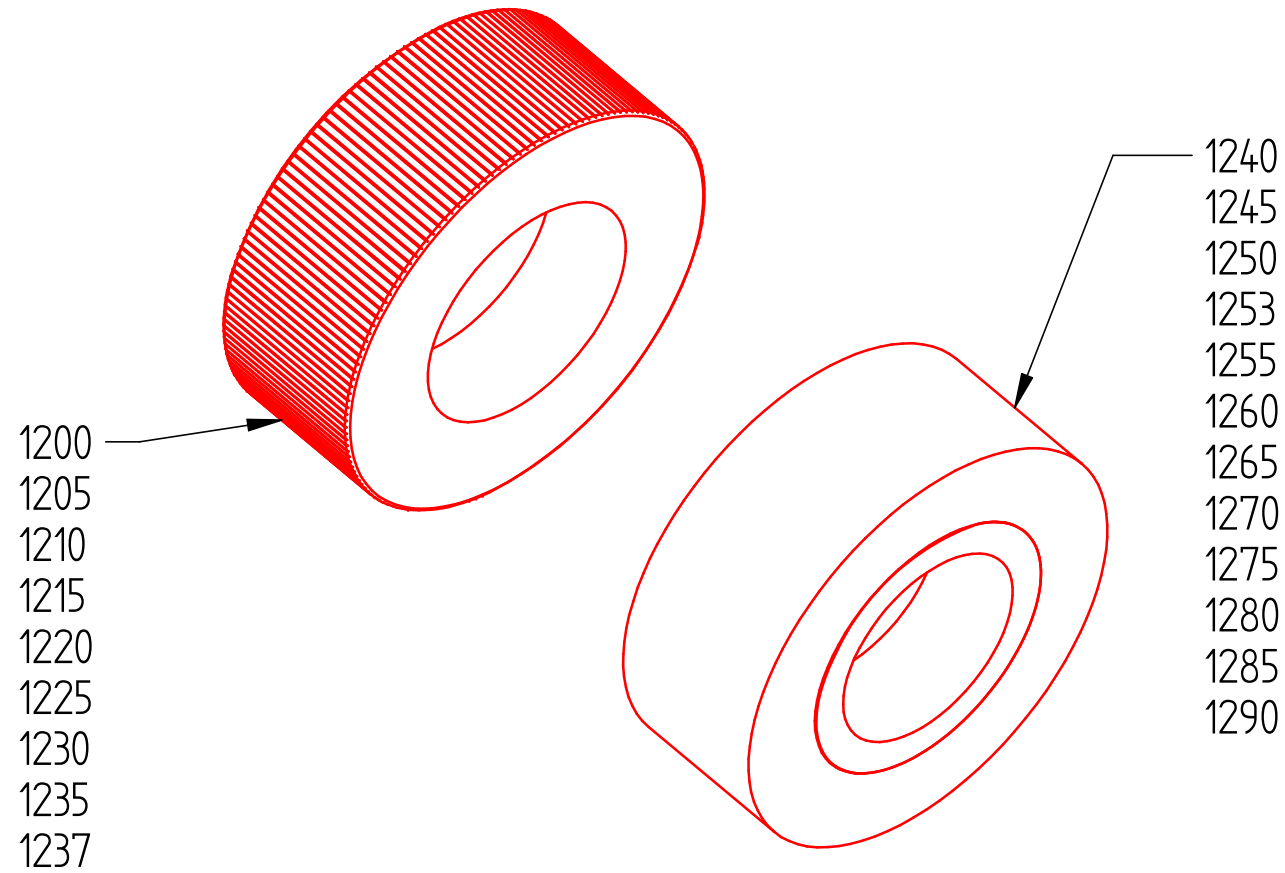


| | | | | | | |
|--|----------------|-------------------|-------|---|----------------|----------|
| Material: - | | | | Volume: | | |
| Date | Drawn by | Seamtek AT | | | Sheet | |
| 13.02.20 | Fanger, Rafael | | | | 11 | |
| Date | Checked by | | | | of | |
| | | | 13 | | | |
| Leister Technologies AG Switzerland | | Format | Scale |  | Drawing number | Revision |
| | | A3 | 1:2 | | 020.778 | D |

1

2

3



Steel wheels

| Pos. | Name | Art. Nr. |
|------|-----------------------------------|----------|
| 1200 | Wheel, Steel ϕ 63.5 x 8mm | 155.392 |
| 1205 | Wheel, Steel ϕ 63.5 x 13mm | 155.393 |
| 1210 | Wheel, Steel ϕ 63.5 x 19mm | 155.863 |
| 1215 | Wheel, Steel ϕ 63.5 x 25mm | 154.593 |
| 1220 | Wheel, Steel ϕ 63.5 x 38mm | 155.864 |
| 1225 | Wheel, Steel ϕ 63.5 x 50mm | 155.394 |
| 1230 | Wheel, Steel ϕ 63.5 x 57mm | 155.865 |
| 1235 | Wheel, Steel ϕ 63.5 x 64mm | 154.619 |
| 1237 | Wheel, Steel ϕ 63.5 x custom | 155.395 |

Silicone wheels 30ShA

| Pos. | Name | Art. Nr. |
|------|-------------------------------------|----------|
| 1280 | Wheel, Silicon, ϕ 63.5 x cust. | 155.411 |

Silicone wheels 50ShA

| Pos. | Name | Art. Nr. |
|------|---------------------------------------|----------|
| 1240 | Wheel, Silicone, ϕ 63.5 x 13mm | 155.401 |
| 1245 | Wheel, Silicone, ϕ 63.5 x 19mm | 155.402 |
| 1250 | Wheel, Silicone, ϕ 63.5 x 25mm | 155.403 |
| 1253 | Wheel, Silicone, ϕ 63.5 x 30mm | 165.007 |
| 1255 | Wheel, Silicone, ϕ 63.5 x 38mm | 155.404 |
| 1260 | Wheel, Silicone, ϕ 63.5 x 50mm | 155.405 |
| 1265 | Wheel, Silicone, ϕ 63.5 x 57mm | 155.406 |
| 1270 | Wheel, Silicone, ϕ 63.5 x 64mm | 155.407 |
| 1275 | Wheel, Silicone, ϕ 63.5 x custom | 155.408 |

Silicone wheels 70ShA

| Pos. | Name | Art. Nr. |
|------|-------------------------------------|----------|
| 1285 | Wheel, Silicon, ϕ 63.5 x cust. | 155.409 |

Silicone wheels 90ShA

| Pos. | Name | Art. Nr. |
|------|-------------------------------------|----------|
| 1290 | Wheel, Silicon, ϕ 63.5 x cust. | 160.105 |

| | | | | | |
|--|----------------|-------------------|-------|----------------|----------|
| Material: - | | | | Volume: | |
| Date | Drawn by | Seamtek AT | | | Sheet |
| 13.02.20 | Fanger, Rafael | | | | 12 |
| Date | Checked by | | | | of |
| | | | | 13 | |
| Leister Technologies AG Switzerland | | Format | Scale | Drawing number | Revision |
| | | A3 | 1:1 | | |

A

B

C

D

1335

1300

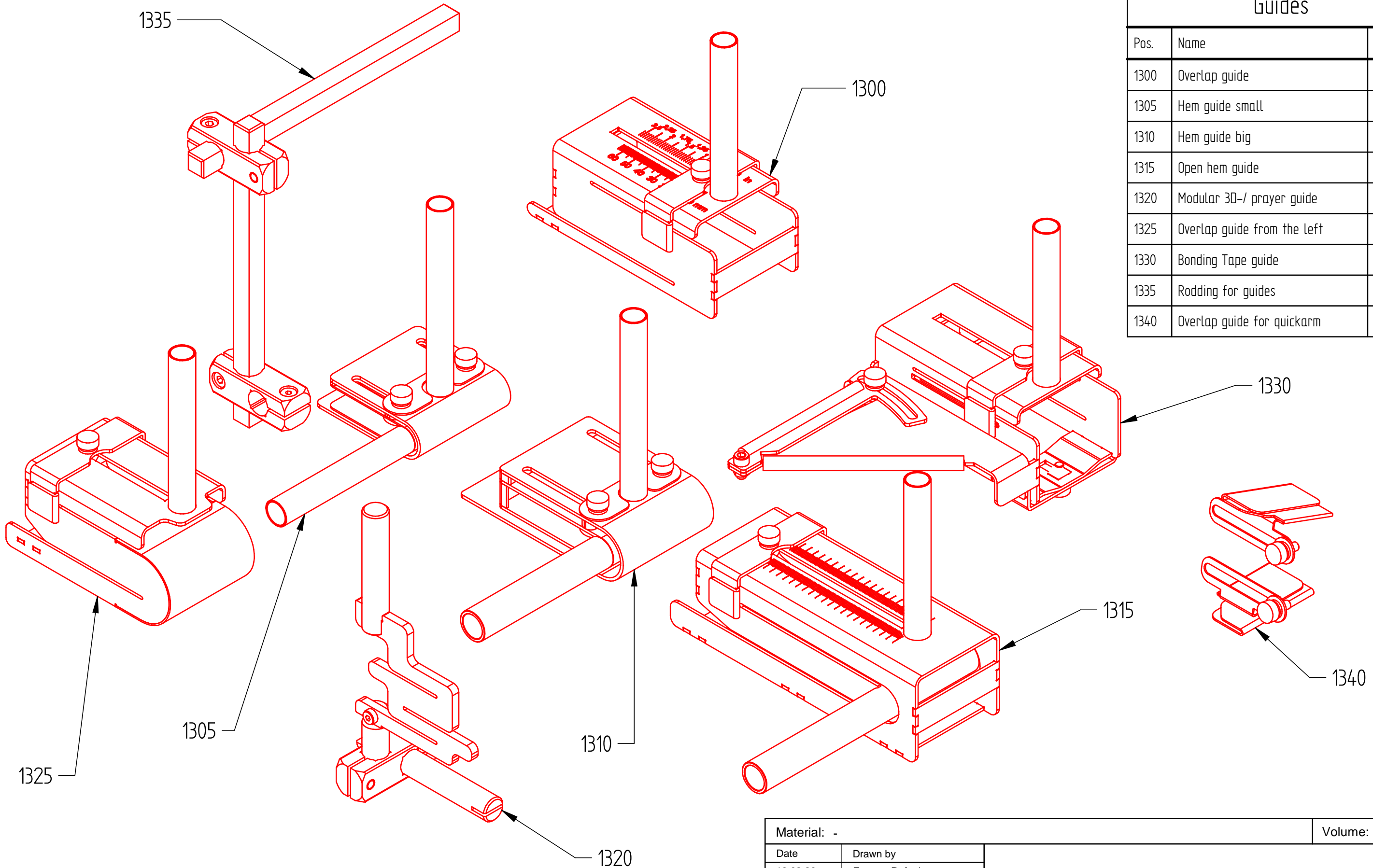
Guides

| Pos. | Name | Art. Nr. |
|------|-----------------------------|----------|
| 1300 | Overlap guide | 155.660 |
| 1305 | Hem guide small | 155.530 |
| 1310 | Hem guide big | 155.760 |
| 1315 | Open hem guide | 155.380 |
| 1320 | Modular 3D-/ prayer guide | 155.540 |
| 1325 | Overlap guide from the left | 156.760 |
| 1330 | Bonding Tape guide | 156.770 |
| 1335 | Rodding for guides | 155.400 |
| 1340 | Overlap guide for quickarm | 156.780 |

1

2

3



This document and the information in it contained are property of LEISTER, and as such, they are to be considered reserved.
 Therefore, any reproduction in any form or by any means, without prior written permission of LEISTER is forbidden.

| | | | | | |
|--|----------------|---------------------|-------|---------|----------------|
| Material: - | | | | Volume: | |
| Date | Drawn by | <h2>Seamtek AT</h2> | | | Sheet |
| 13.02.20 | Fanger, Rafael | | | | 13 |
| Date | Checked by | | | | of |
| | | | 13 | | |
| Leister Technologies AG Switzerland | | Format | Scale | | Drawing number |
| | | A3 | 1:2 | | 020.778 |
| | | | | | Revision |
| | | | | | D |