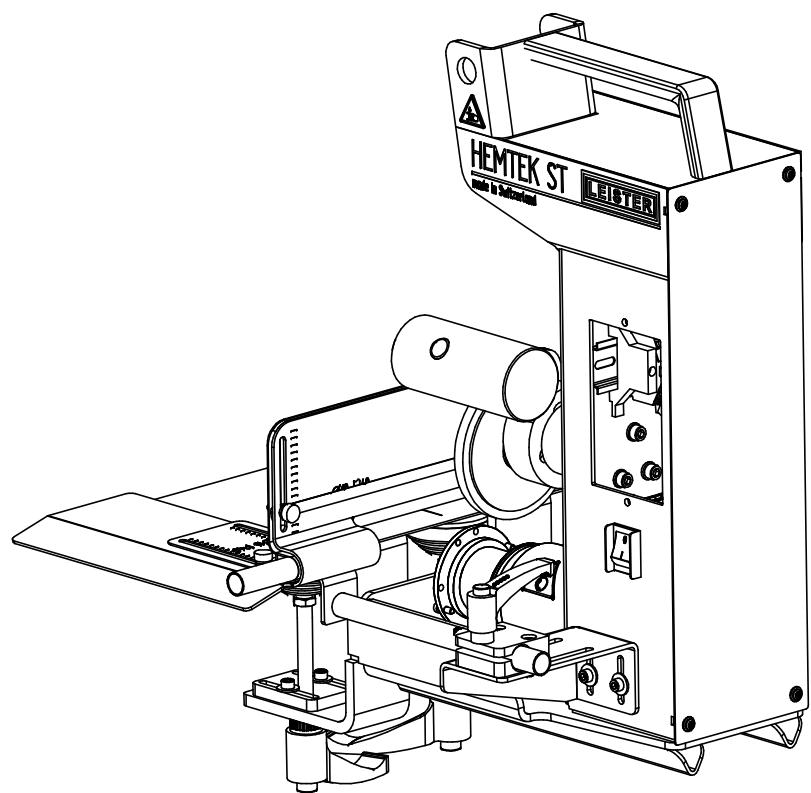


A

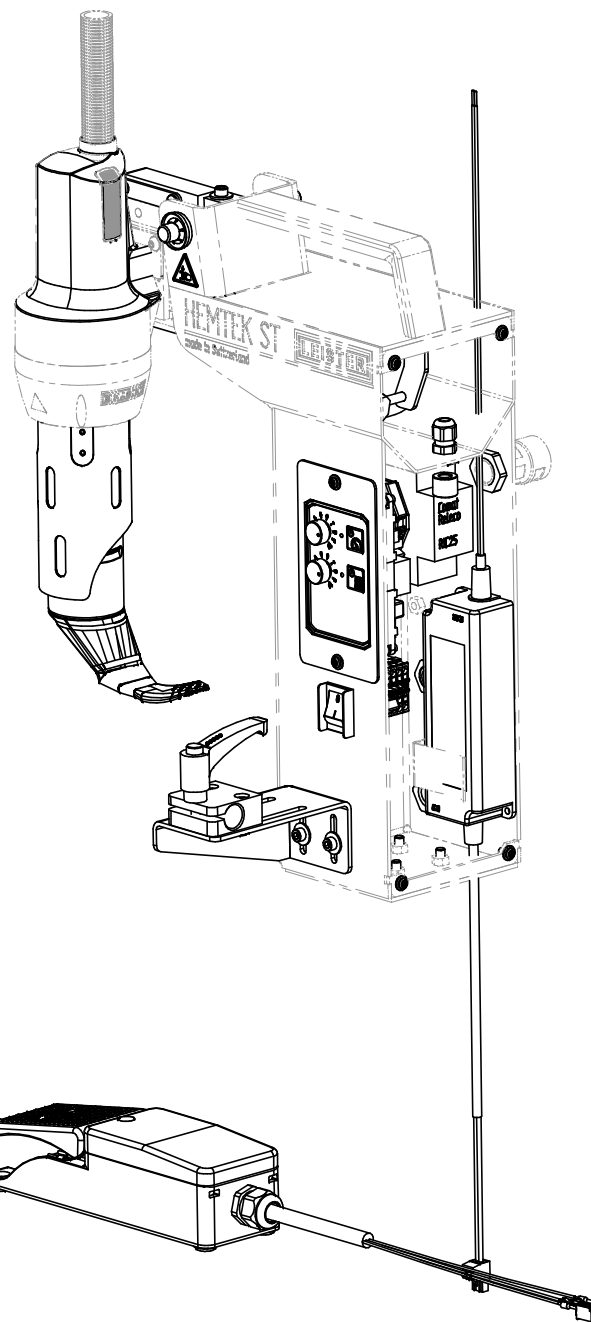
B

C

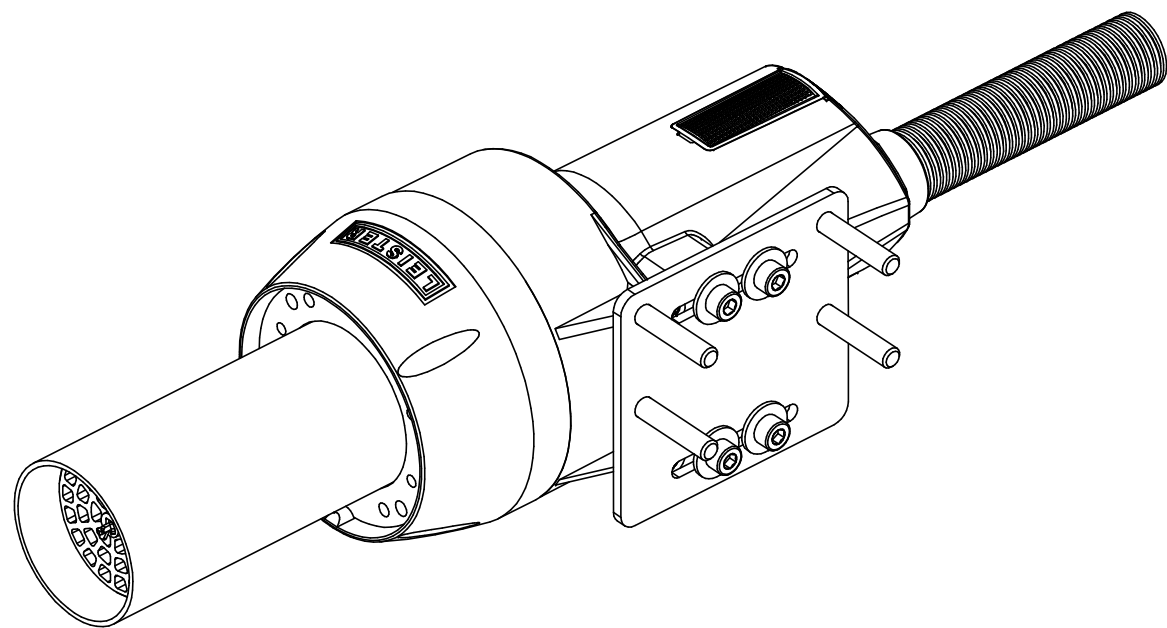
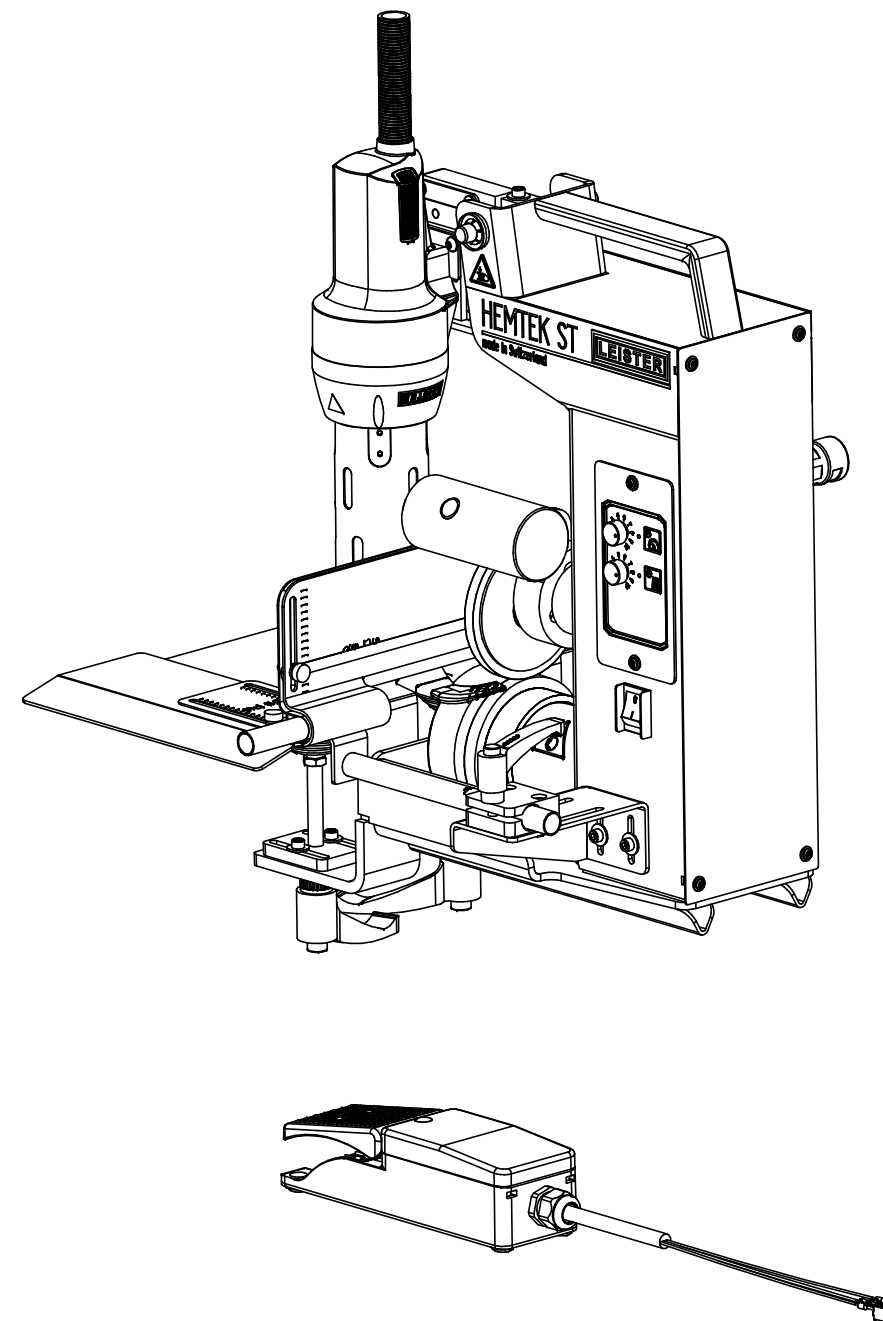
D



Spare Parts Sheet 2

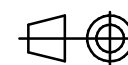


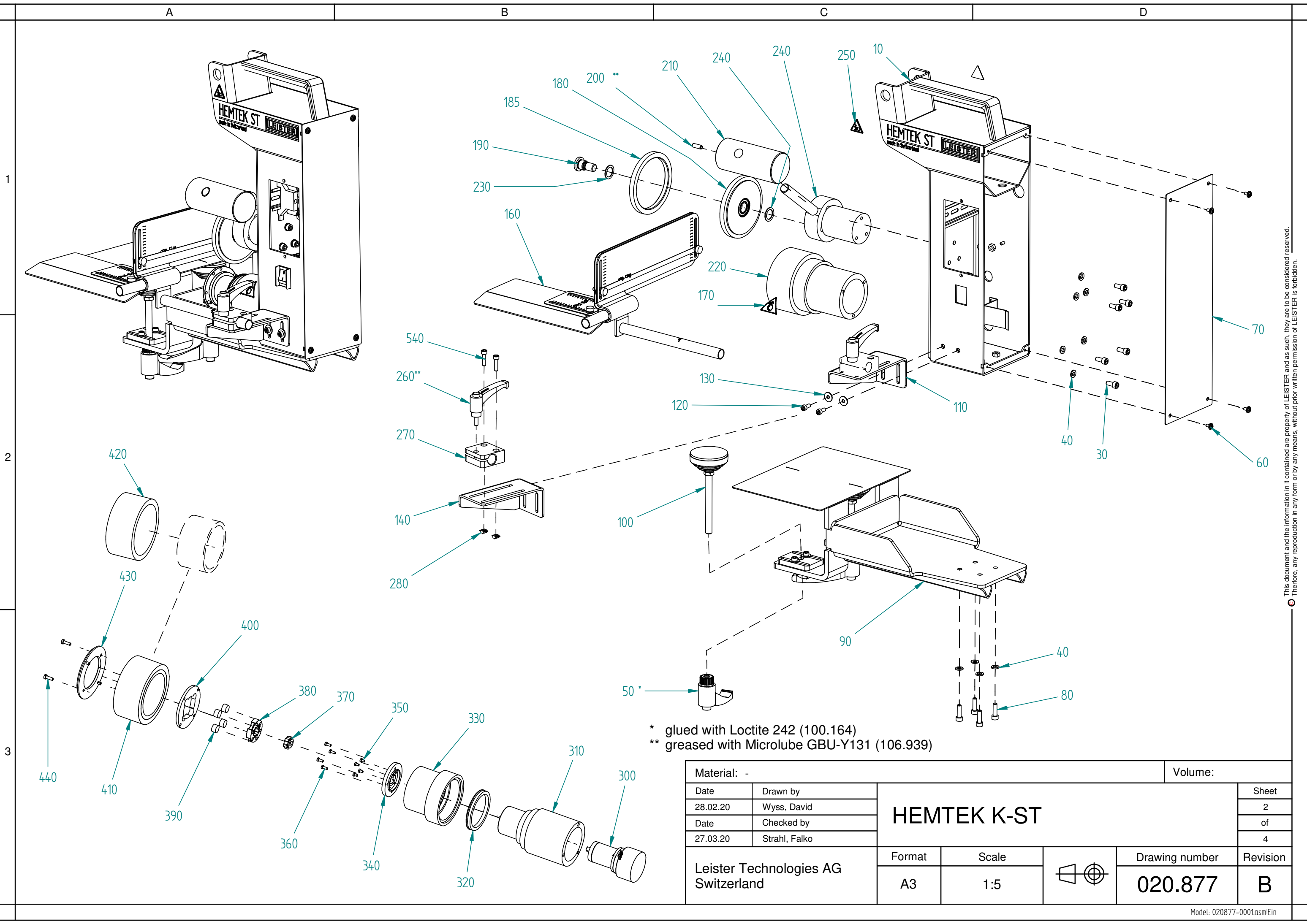
Spare Parts Sheet 3



Spare Parts Sheet 4  
1:2

Material: -				Volume:	
Date	Drawn by	HEMTEK K-ST			Sheet
28.02.20	Wyss, David				1
Date	Checked by				of
27.03.20	Strahl, Falko		4		
Leister Technologies AG Switzerland		Format	Scale	Drawing number	Revision
		A3	1:5		

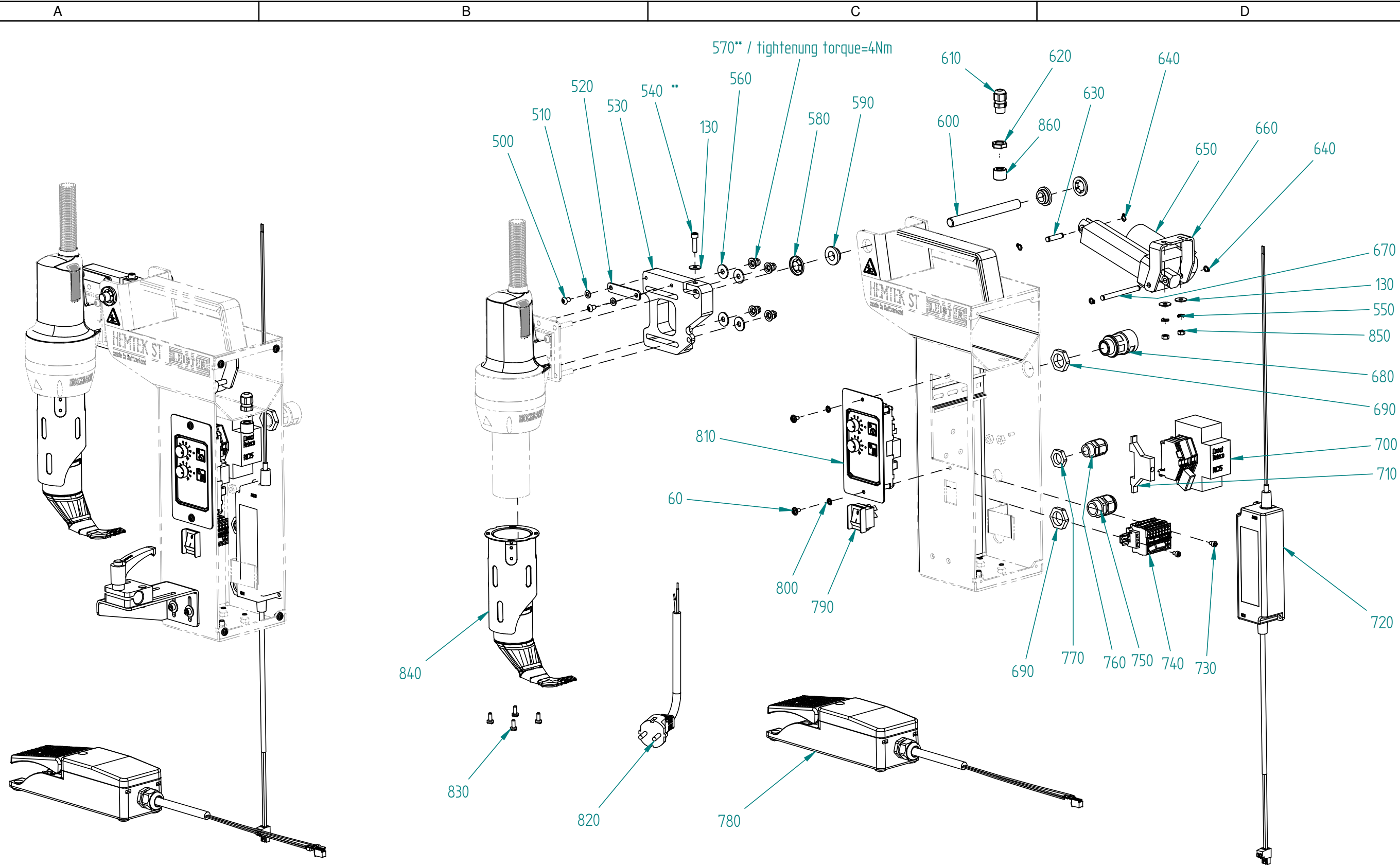




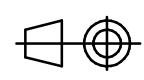
\* glued with Loctite 242 (100.164)  
 \*\* greased with Microlube GBU-Y131 (106.939)

Material: -			Volume:		
Date	Drawn by	<b>HEMTEK K-ST</b>			
28.02.20	Wyss, David				
Date	Checked by				
27.03.20	Strahl, Falko				
Leister Technologies AG Switzerland		Format	Scale	Drawing number	Sheet
		A3	1:5		020.877
			Revision	Revision	
				B	

This document and the information in it contained are property of LEISTER and as such, they are to be considered reserved. Therefore, any reproduction in any form or by any means, without prior written permission of LEISTER is forbidden.



\* glued with Loctite 242 (100.164)  
 \*\* greased with Microlube GBU-Y131 (106.939)

Material: -				Volume:		
Date	Drawn by	<b>HEMTEK K-ST</b>			Sheet	
28.02.20	Wyss, David				3	
Date	Checked by				of	
27.03.20	Strahl, Falko				4	
Leister Technologies AG Switzerland		Format	Scale		Drawing number	Revision
		A3	1:5		<b>020.877</b>	<b>B</b>

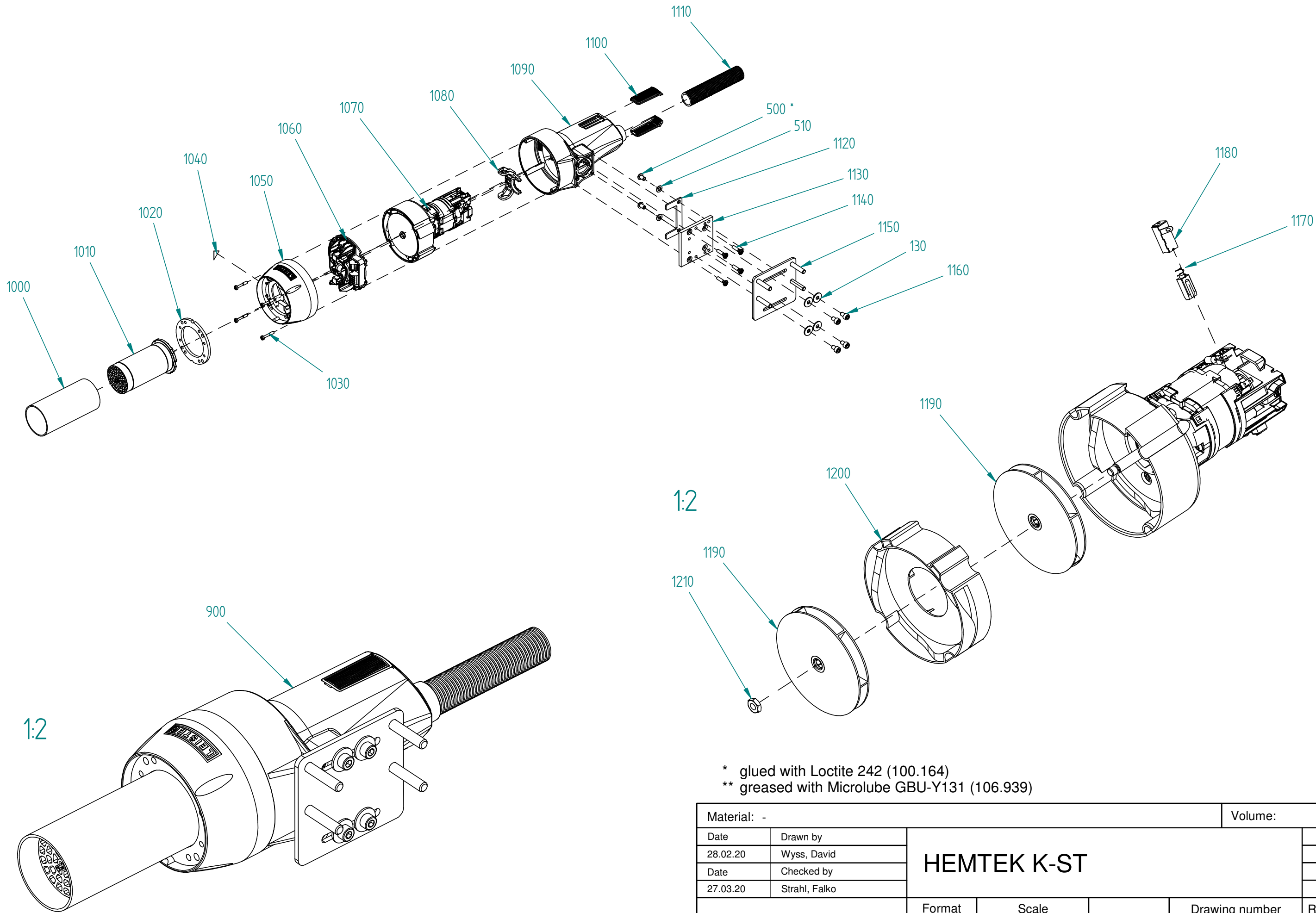
This document and the information it contains are property of LEISTER and as such, they are to be considered reserved.  
 Therefore, any reproduction in any form or by any means, without prior written permission of LEISTER is forbidden.

A

B

C

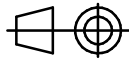
D



1:2

1:2

\* glued with Loctite 242 (100.164)  
 \*\* greased with Microlube GBU-Y131 (106.939)

Material: -				Volume:	
Date	Drawn by	<b>HEMTEK K-ST</b>			Sheet
28.02.20	Wyss, David				4
Date	Checked by				of
27.03.20	Strahl, Falko				4
Leister Technologies AG Switzerland		Format	Scale		Drawing number
		A3	1:5		<b>020.877</b>
					Revision
					<b>B</b>