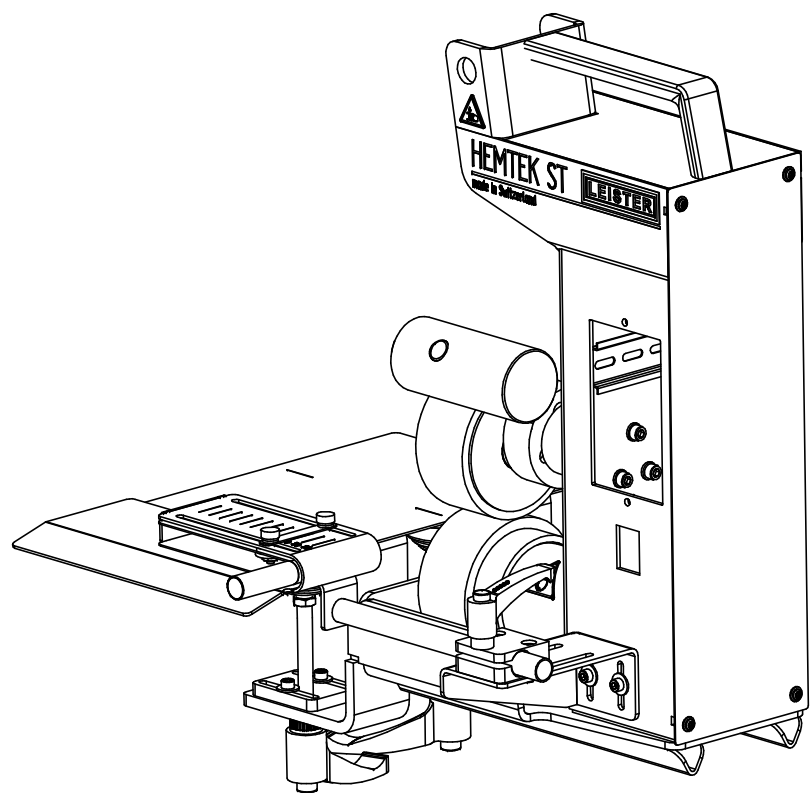


A

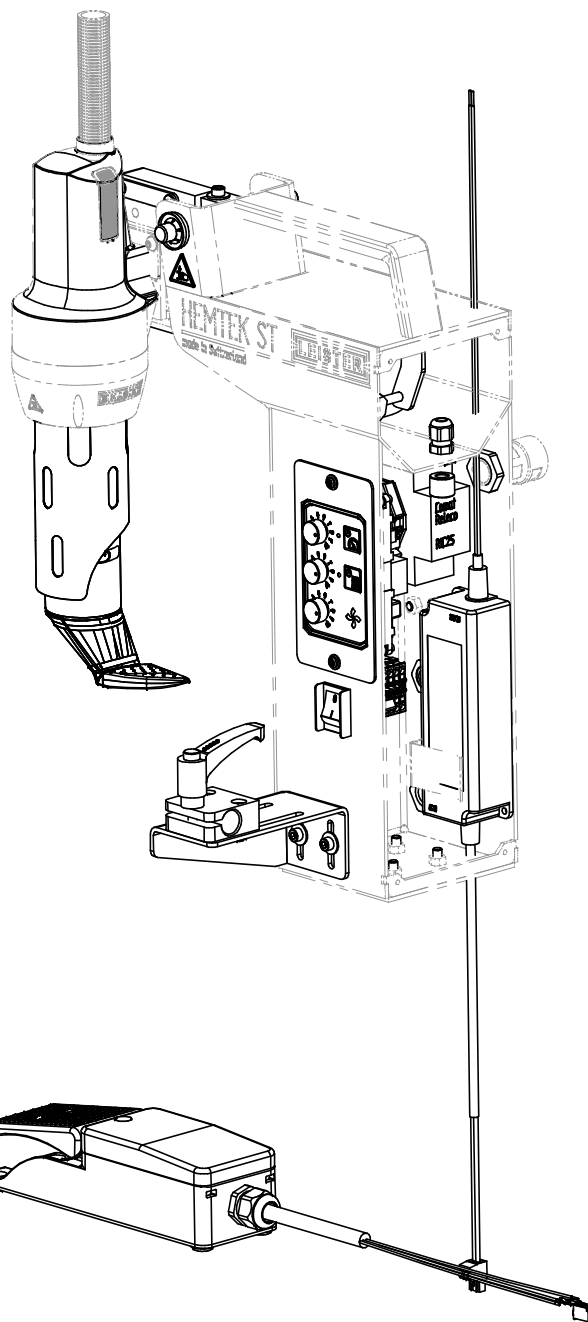
B

C

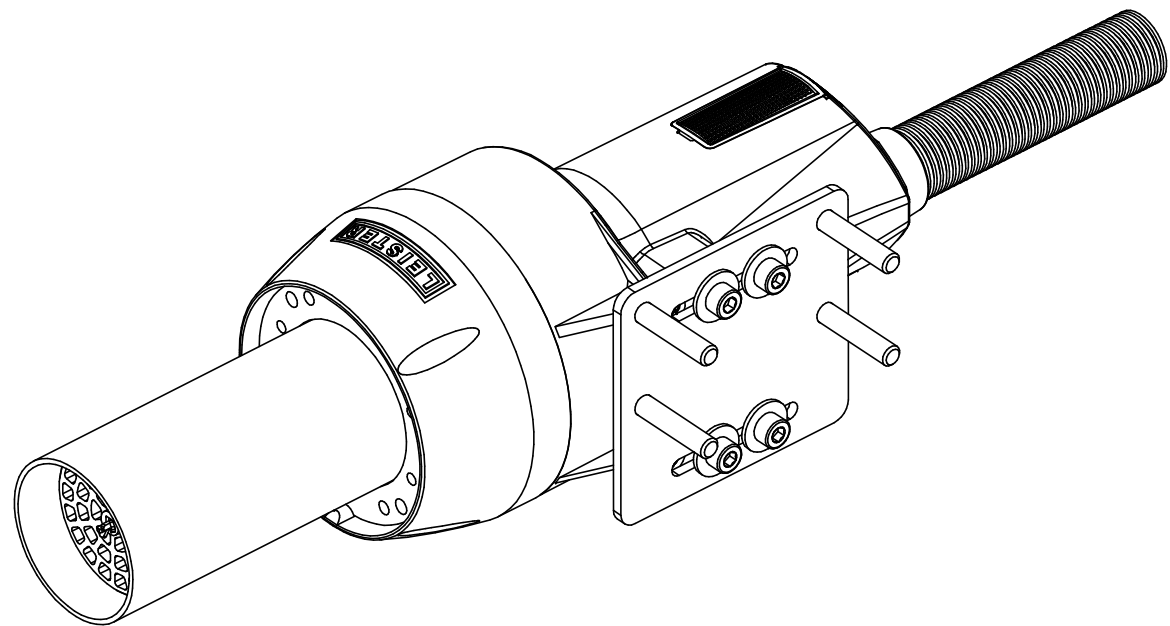
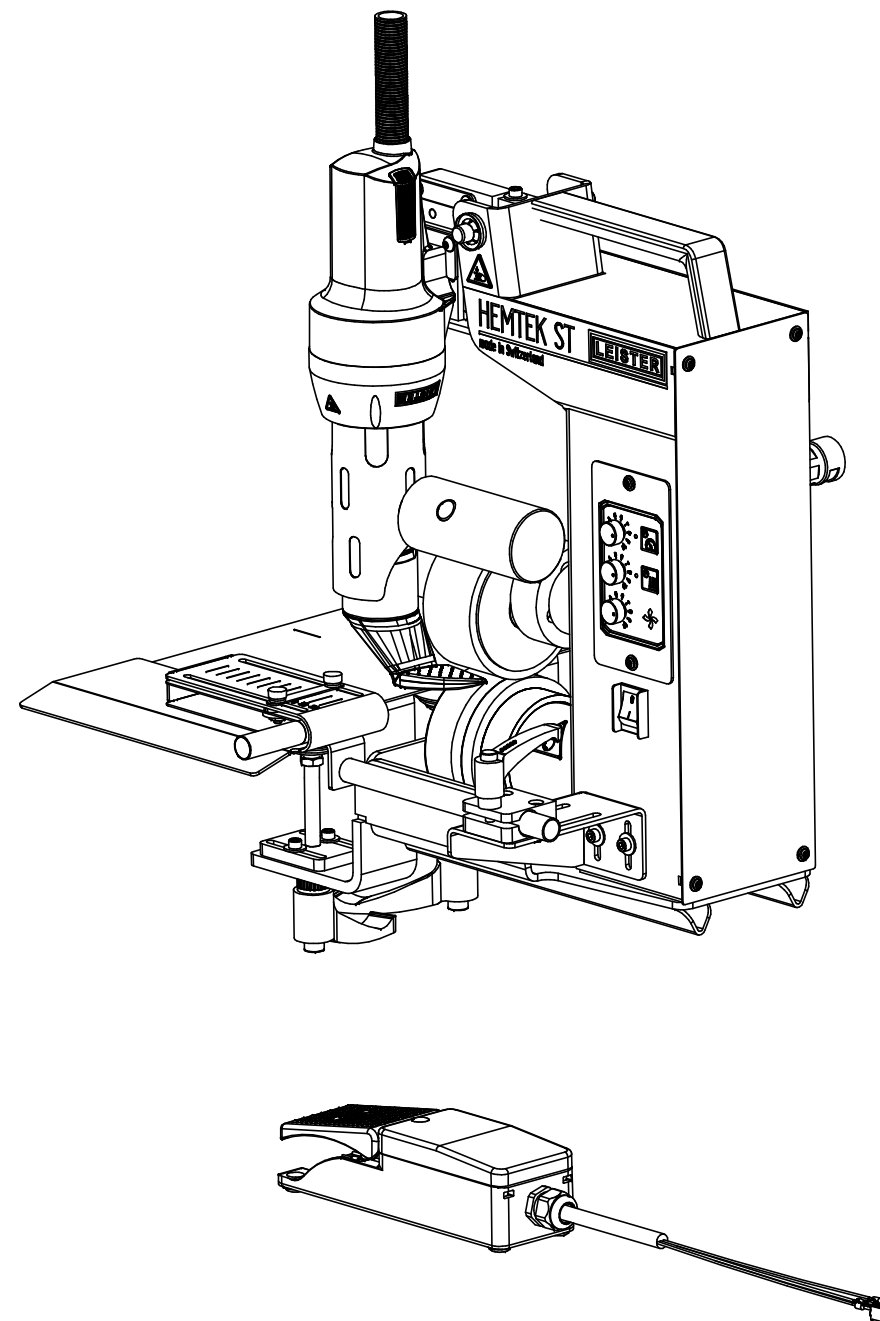
D



Spare Parts Sheet 2

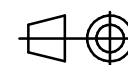


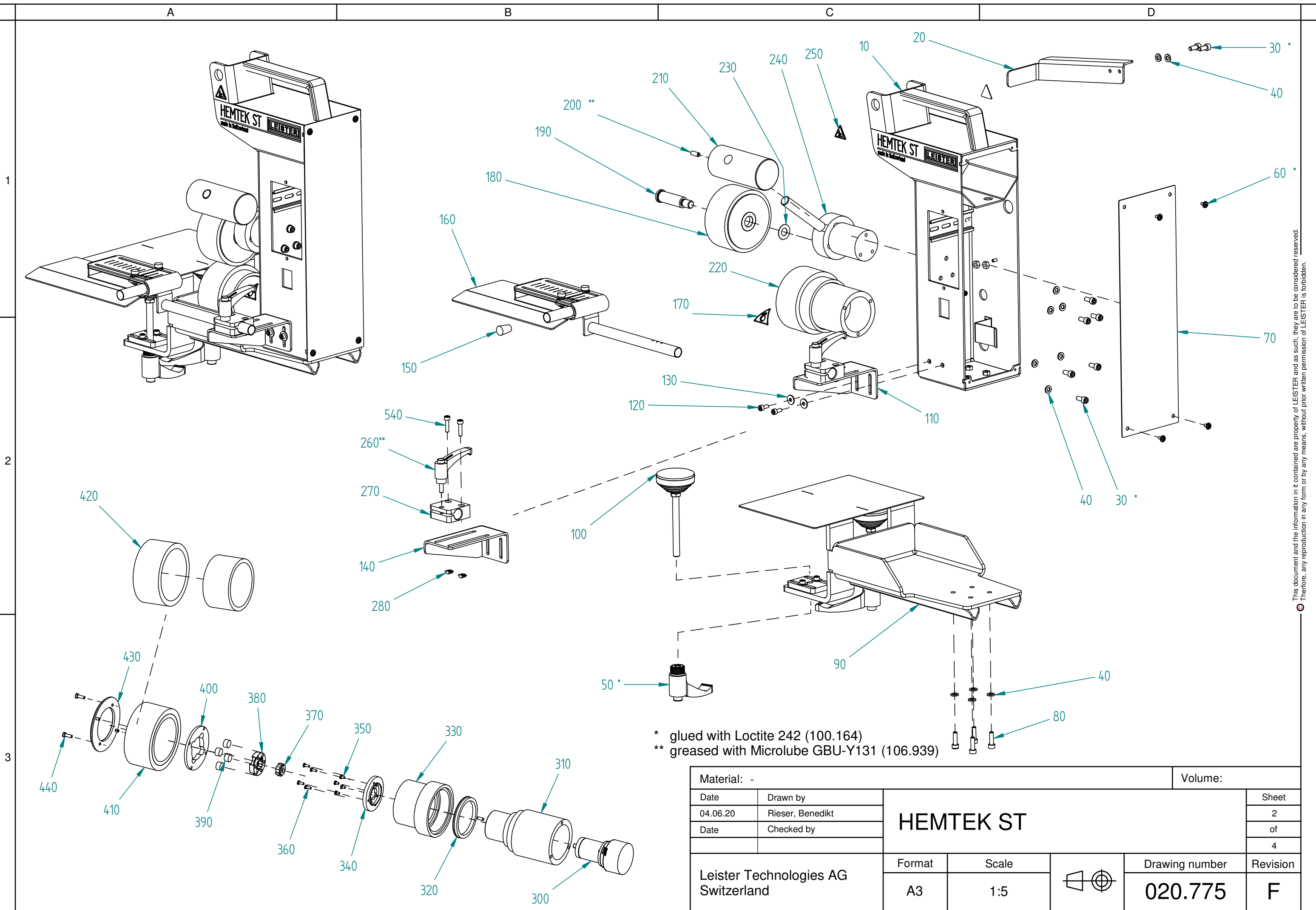
Spare Parts Sheet 3



Spare Parts Sheet 4
1:2

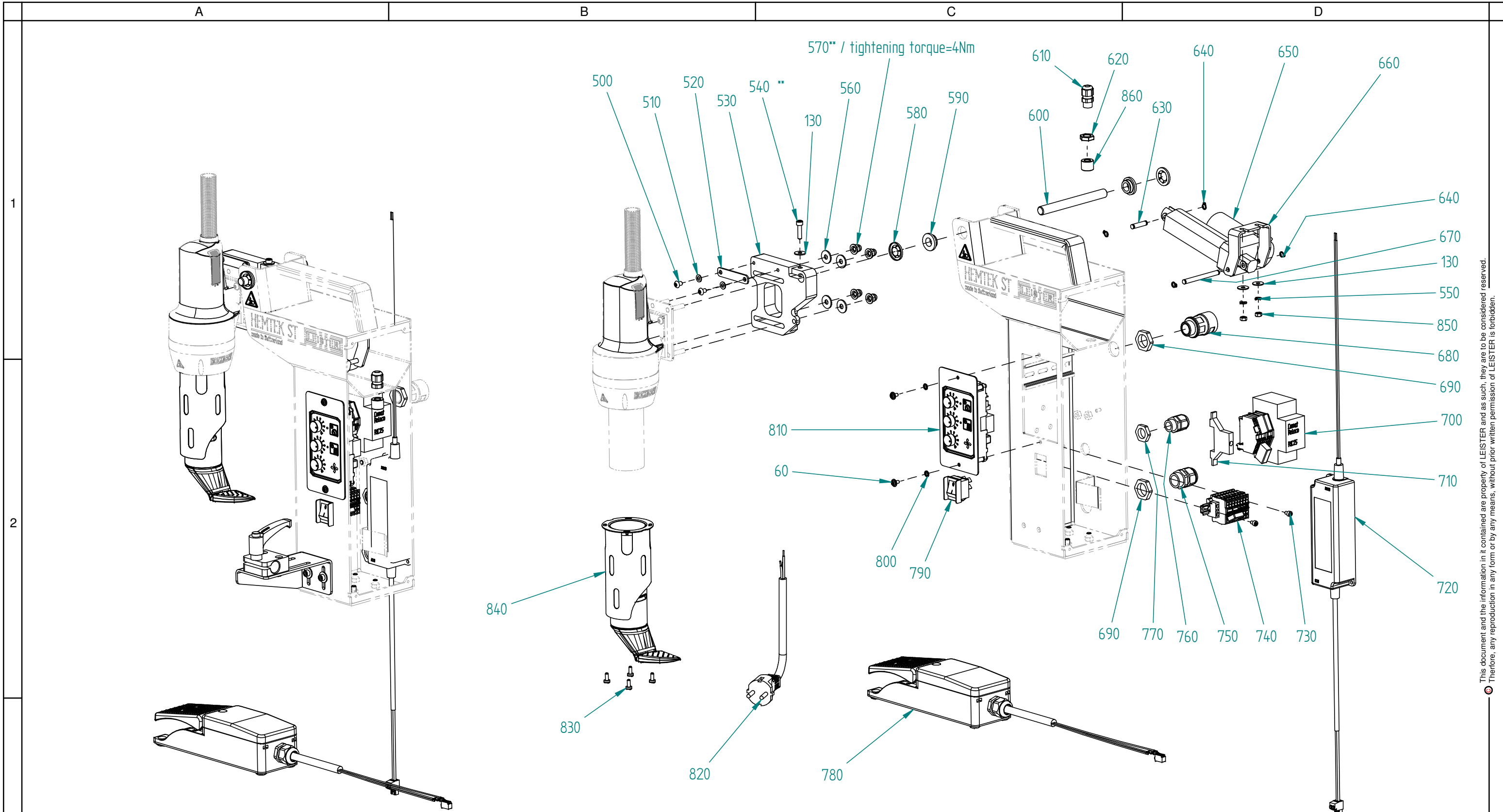
Material: -				Volume:	
Date	Drawn by	HEMTEK ST			Sheet
04.06.20	Rieser, Benedikt				1
Date	Checked by				of
			4		
Leister Technologies AG Switzerland		Format	Scale	Drawing number	Revision
		A3	1:5		020.775



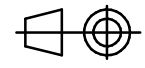


This document and the information in it contained are property of LEISTER and as such, they are to be considered reserved. Therefore, any reproduction in any form or by any means, without prior written permission of LEISTER is forbidden.

Material: -			Volume:		
Date	Drawn by	HEMTEK ST			
04.06.20	Rieser, Benedikt				
Date	Checked by	HEMTEK ST			
Leister Technologies AG Switzerland		Format	Scale	Drawing number	Sheet
		A3	1:5	020.775	2 of 4
				Revision	
				F	



* glued with Loctite 242 (100.164)
 ** greased with Microlube GBU-Y131 (106.939)

Material: -				Volume:		
Date	Drawn by	HEMTEK ST			Sheet	
04.06.20	Rieser, Benedikt				3	
Date	Checked by				of	
		Format	Scale		Drawing number	Revision
Leister Technologies AG Switzerland		A3	1:5		020.775	F

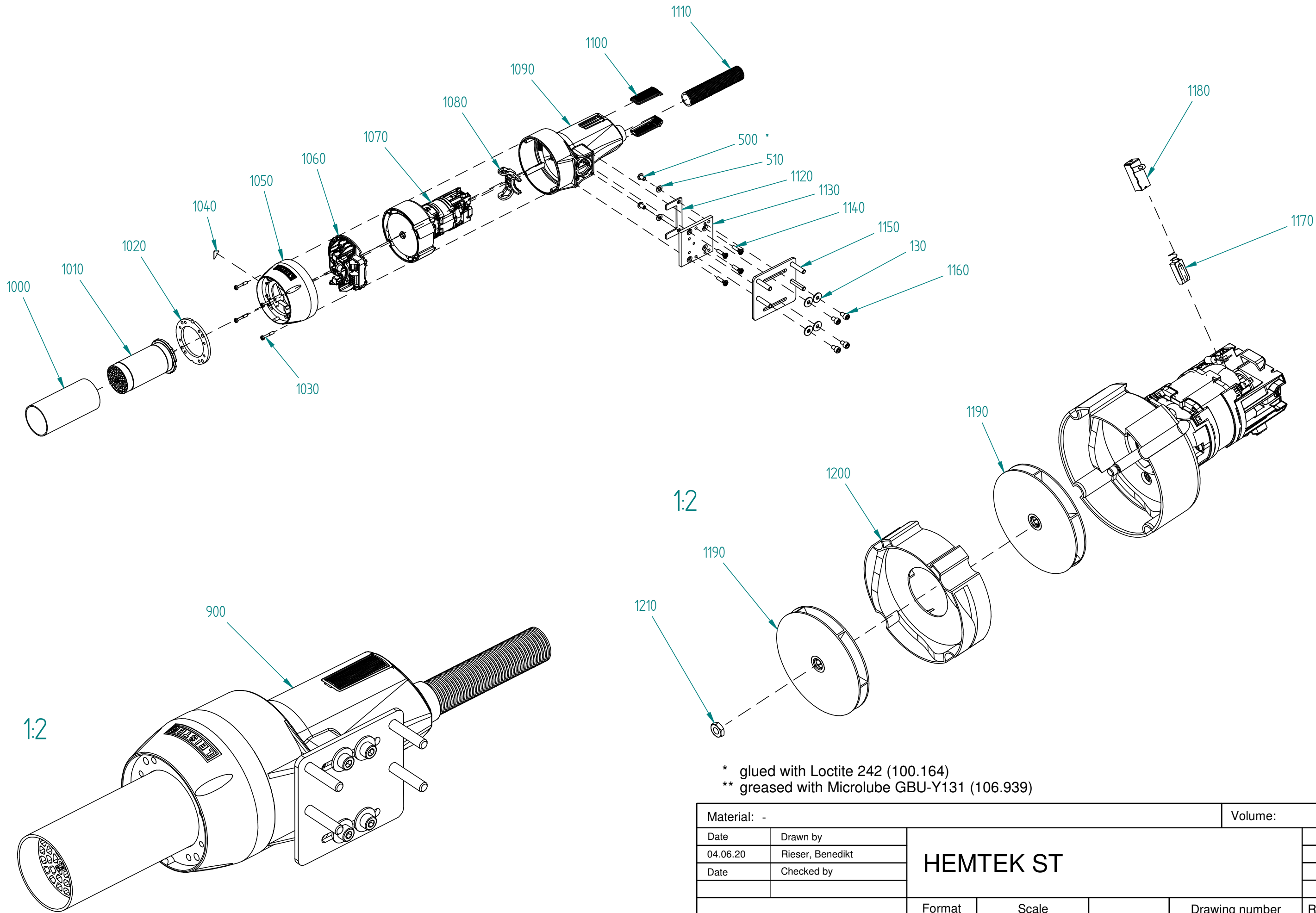
This document and the information it contained are property of LEISTER and as such, they are to be considered reserved.
 Therefore, any reproduction in any form or by any means, without prior written permission of LEISTER is forbidden.

A

B

C

D



1:2

1:2

* glued with Loctite 242 (100.164)
 ** greased with Microlube GBU-Y131 (106.939)

Material: -				Volume:	
Date	Drawn by	HEMTEK ST			Sheet
04.06.20	Rieser, Benedikt				4
Date	Checked by				of
			4		
Leister Technologies AG Switzerland		Format	Scale	Drawing number	Revision
		A3	1:5		

